

Product Information

FIRTWRM - Wormhole Ribbed Crawl Through Play Tunnel

BS EN 1176 - Designed to British & European Standards

MATERIALS

Panels - Two Colour  High Density Polyethylene (HDPE)

Ribbed Tunnel - HDPE Heavy duty ribbed tunnel with a smooth inner

SUPPLY METHOD

Tunnel - Fully assembled

FEATURES



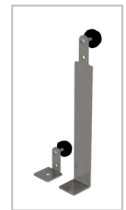
TUNNEL - Ribbed Crawl Through Play Tunnel



ROTATE - Spinning Planets

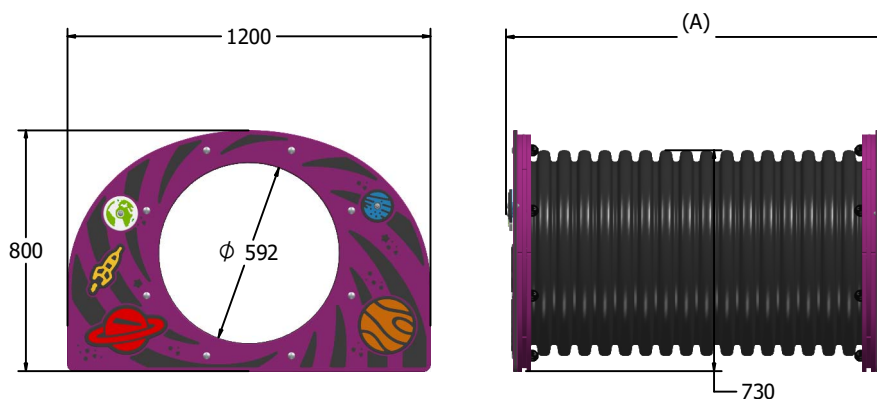


FIRTWRM12



Surface or below ground fixing brackets available as an additional extra.

DIMENSIONS



Tunnell Overall Length (all lengths nominal)	
Product Code	Length (A)
FIRTWRM12	1258mm
FIRTWRM20	1998mm

TECHNICAL

Age Range: 2+ Years
Largest Part: FIRTWRM12 - 1200 x 800 x 1258mm(Nominal)
Total Weight: 50kg Approx.
FFH (Free Fall Height): 800mm
Surfacing: 1.5m from extremes of equipment.

Age Range: 2+ Years
Largest Part: FIRTWRM20 - 1200 x 800 x 1998mm(Nominal)
Total Weight: 65kg Approx.
FFH (Free Fall Height): 800mm
Surfacing: 1.5m from extremes of equipment.

IMPORTANT: you must specify the colour option you require at the time of order if it is different from the colour listed/shown above, requirements are subject to availability at the time of order