

# Product Information

## FIOISSFL-AL-WP - Spinning Spiral Optical Illusion with Alu Post

BS EN 1176 - Designed to British & European Standards

### MATERIALS

**Panels** - Two Colour  High Density Polyethylene (HDPE)

**Post** - Extruded aluminium post with powder coat finish

### SUPPLY METHOD

**Disc and Cap Assembly** - Pre-assembled

**Post** - Separate

### FEATURES



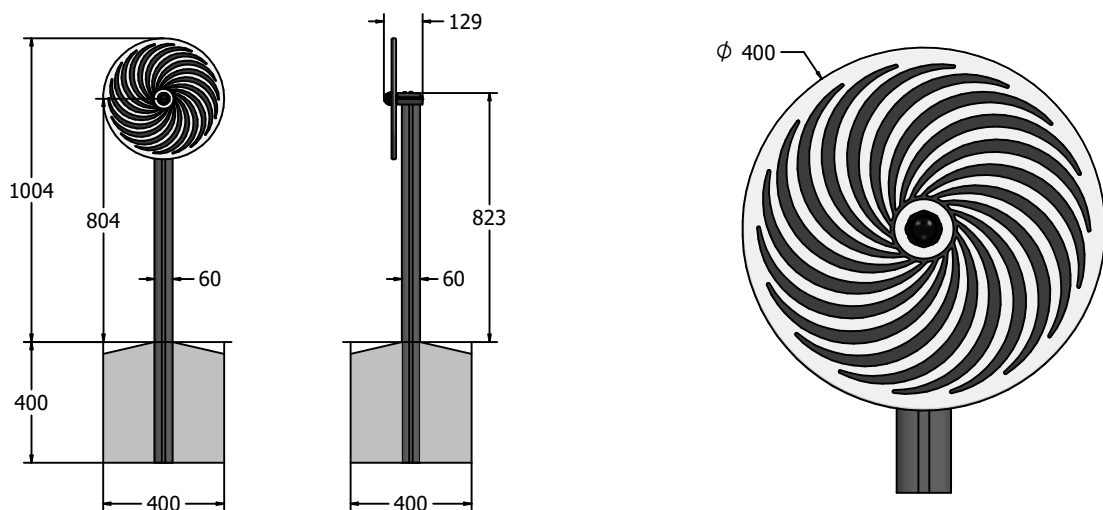
**ROTATE** - Create an optical illusion



**INCLUSIVE** - Activity positioned at accessible height



### DIMENSIONS



### TECHNICAL

**Age Range:** 2+ Years  
**Largest Part:** Post - 60 x 60 x 1185mm  
**Heaviest Part:** Post - 2.2Kg  
**Total Weight:** 4.3Kg  
**Surfacing:** N/A

IMPORTANT: you must specify the colour option you require at the time of order if it is different from the colour listed/shown above, requirements are subject to availability at the time of order