

Product Information

FIOIRRSMIN - Mini Revolving Rectangles Optical Illusion Insert

BS EN 1176 - Designed to British & European Standards

MATERIALS

Panel - Two Colour  High Density Polyethylene (HDPE)

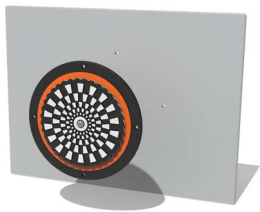
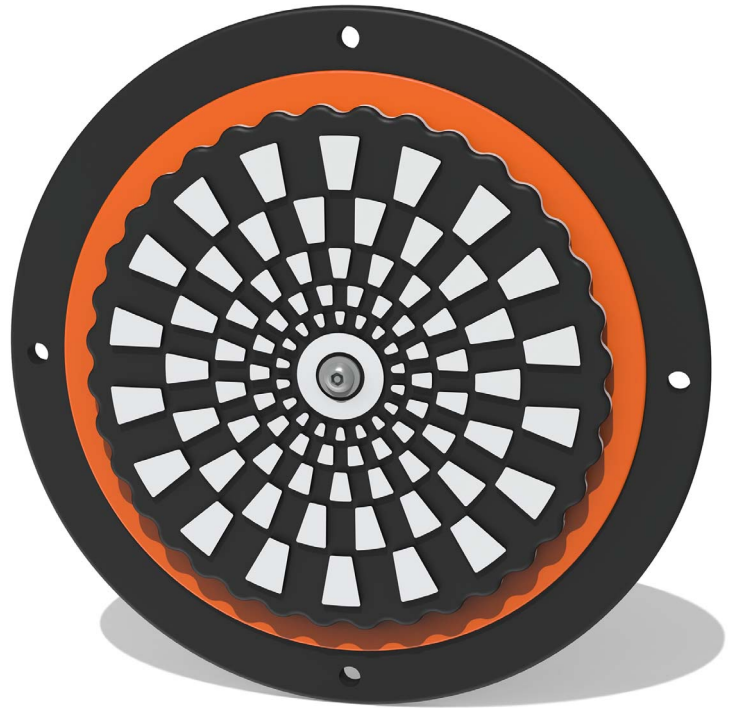
SUPPLY METHOD

Insert - Fully Assembled

FEATURES

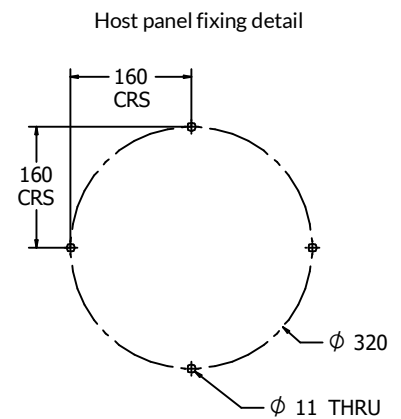
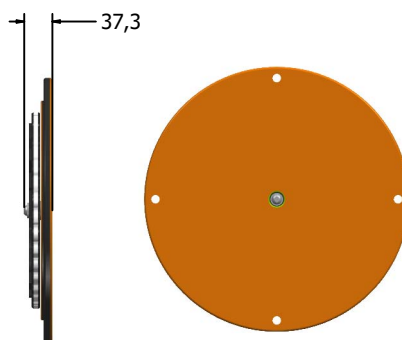
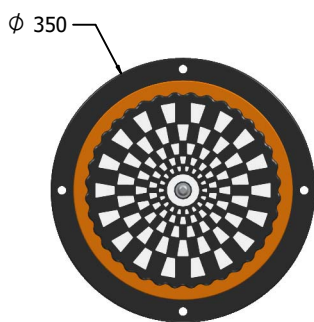


ROTATE - Create an optical illusion



Insert can be easily attached to your own panel

DIMENSIONS



CAD available on request

TECHNICAL

Age Range: 2+ Years
 Largest Part: ϕ 350 x 37.3mm
 Total Weight: 2kg
 Surfacing: N/A

IMPORTANT: you must specify the colour option you require at the time of order if it is different from the colour listed/shown above, requirements are subject to availability at the time of order