

# Product Information

## FIOIRRIN - Revolving Rectangles Optical Illusion Insert

BS EN 1176 - Designed to British & European Standards


### MATERIALS

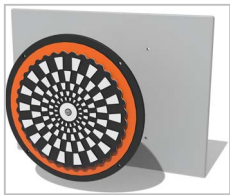
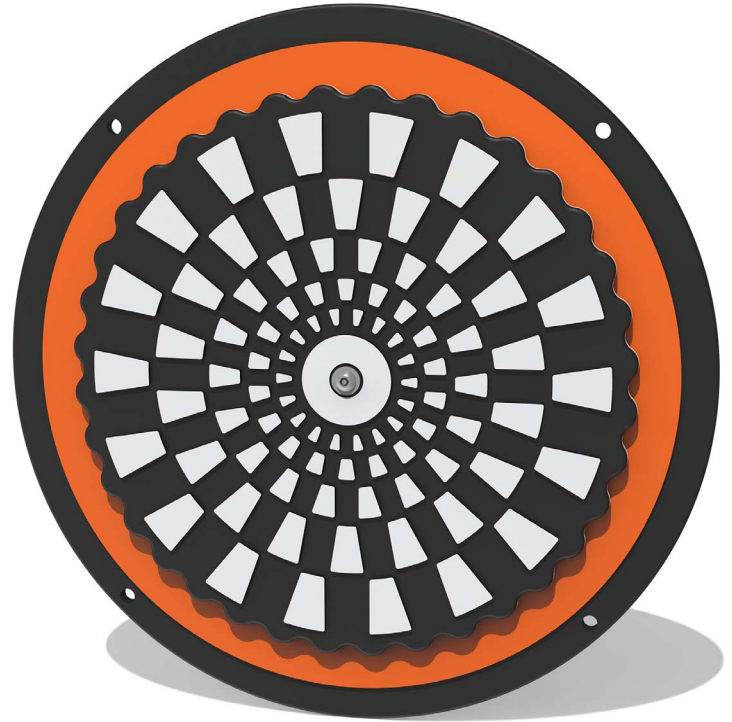
Panel - Two Colour  High Density Polyethylene (HDPE)

### SUPPLY METHOD

Insert - Fully assembled

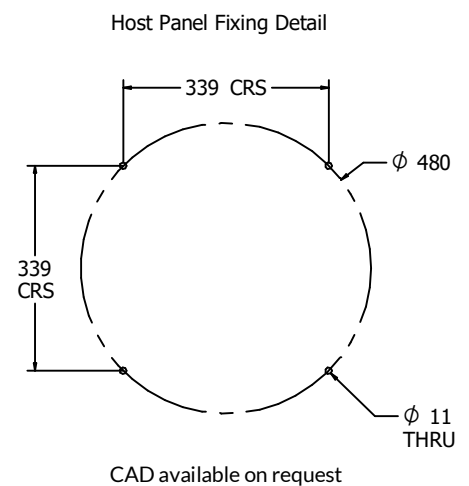
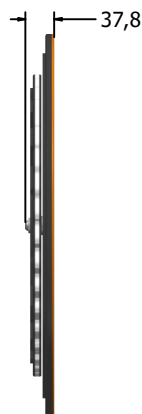
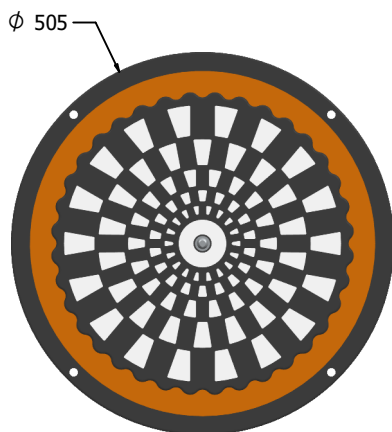
### FEATURES

 **ROTATE** - Create an optical illusion



Insert can be easily attached to your own panel

### DIMENSIONS



### TECHNICAL

Age Range: 2+ Years  
 Largest Part:  $\phi 505 \times 37.8\text{mm}$   
 Total Weight: 4.2kg  
 Surfacing: N/A

IMPORTANT: you must specify the colour option you require at the time of order if it is different from the colour listed/shown above, requirements are subject to availability at the time of order