

Product Information

FIOIPSSMIN - Mini Pulsing Square Optical Illusion Insert

BS EN 1176 - Designed to British & European Standards


MATERIALS

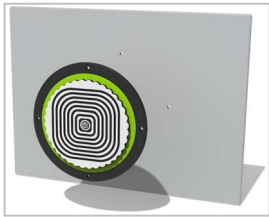
Panel - Two Colour  High Density Polyethylene (HDPE)

SUPPLY METHOD

Insert - Fully Assembled

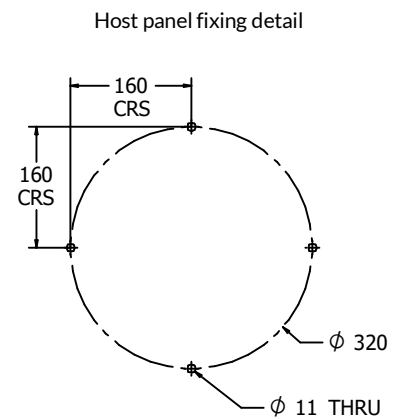
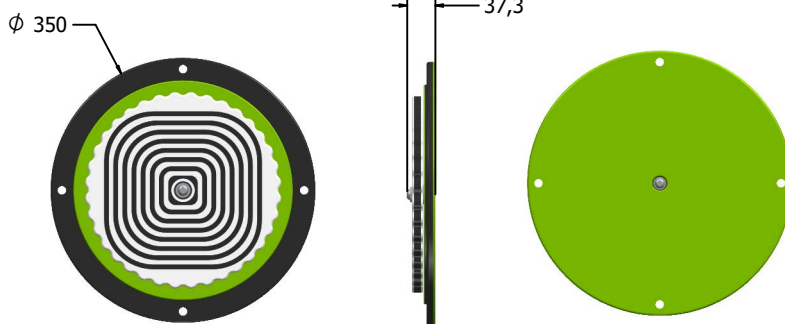
FEATURES

 **ROTATE** - Create an optical illusion



Insert can be easily attached to your own panel

DIMENSIONS



CAD available on request

TECHNICAL

Age Range: 2+ Years
 Largest Part: $\Phi 350 \times 37.3\text{mm}$
 Total Weight: 2kg
 Surfacing: N/A

IMPORTANT: you must specify the colour option you require at the time of order if it is different from the colour listed/shown above, requirements are subject to availability at the time of order