


# Product Information

## FIGLIDEIN - Gliding Gears Insert

BS EN 1176 - Designed to British & European Standards


### MATERIALS

Panel - Two Colour  High Density Polyethylene (HDPE)

### SUPPLY METHOD

Insert - Fully assembled

### FEATURES

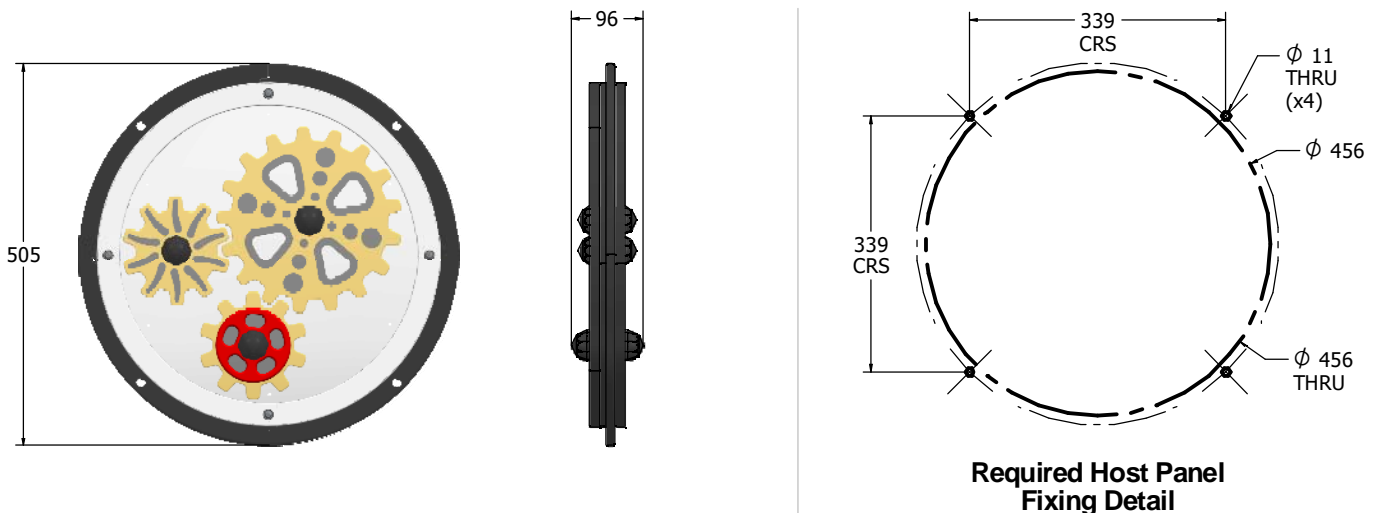
 **ROTATE** - Turn the handle to spin the gears



Insert can easily attach  
to your own panel



### DIMENSIONS



### TECHNICAL

Age Range: 2+ Years  
Largest Part:  $\Phi 505 \times 96\text{mm}$   
Total Weight: 4 kg Approx.  
Surfacing: N/A

IMPORTANT: you must specify the colour option you require at the time of order if it is different from the colour listed/shown above, requirements are subject to availability at the time of order