

Product Information

FICSCTFL-WP - Concentric Counting Flower with Post

BS EN 1176 - Designed to British & European Standards

MATERIALS

Panels - Two Colour **XD^{eco}** High Density Polyethylene (HDPE)

Post - 100% recycled plastic **ecoPOSTS** with a heavy textured finish

SUPPLY METHOD

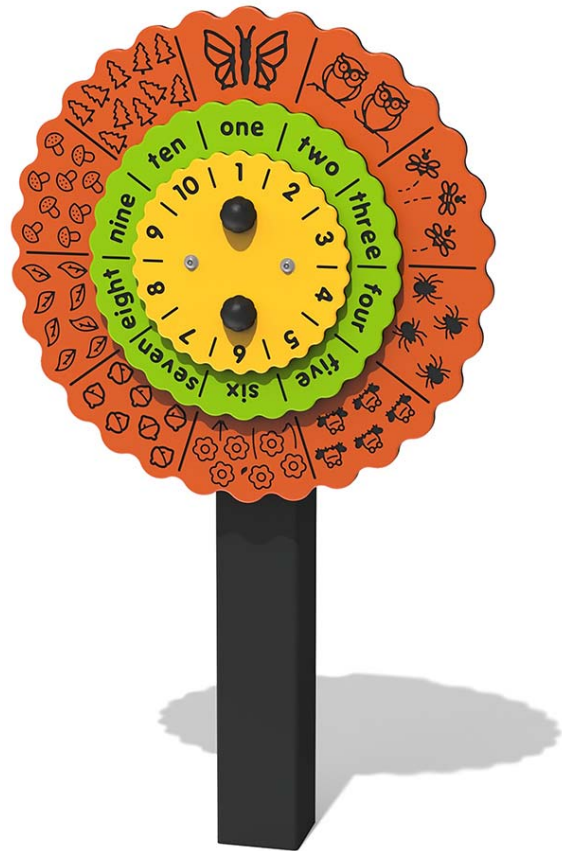
Insert - Pre-assembled

Post & Cap - Pre-assembled with fixings

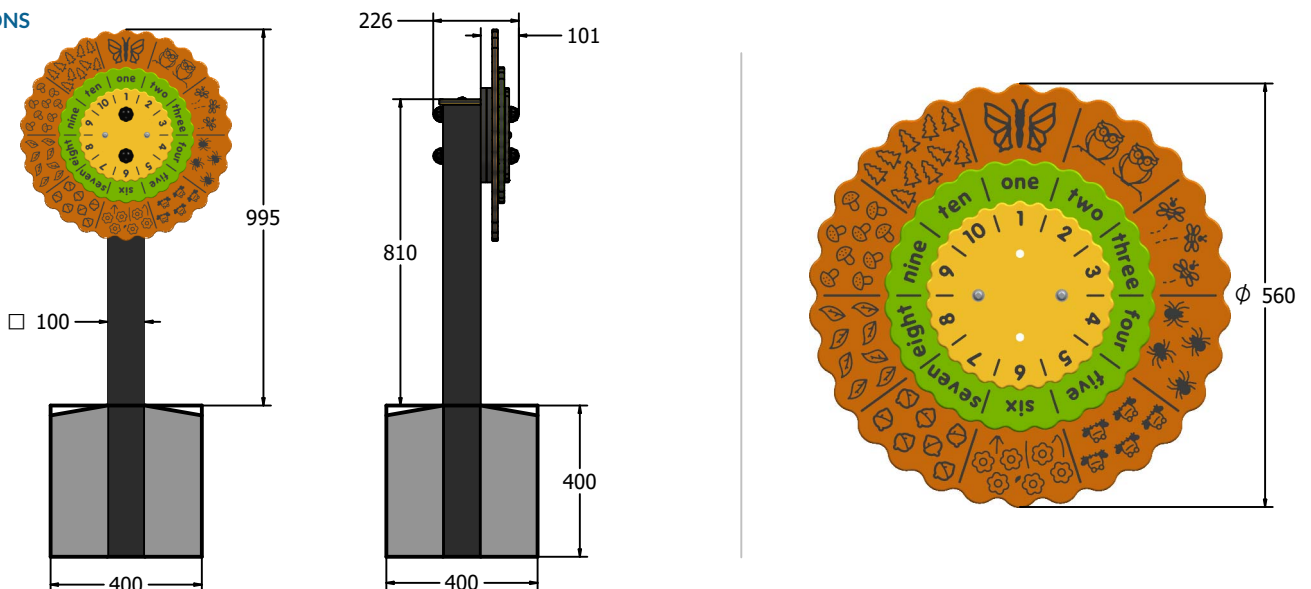
FEATURES

 **ROTATE** - Concentric spinning discs

 **NUMBERS** - Count to match the wheels



DIMENSIONS



TECHNICAL

Age Range: 2+ Years
 Largest Part: $\varnothing 560 \times 75\text{mm}$
 Total Weight: 17kg Approx.
 Surfacing: N/A

IMPORTANT: you must specify the colour option you require at the time of order if it is different from the colour listed/shown above, requirements are subject to availability at the time of order