

Product Information

FICSCBFL-WP - Concentric Code Breaker Flower with Post

BS EN 1176 - Designed to British & European Standards

MATERIALS

Panels - Two Colour **XD^{eco}** High Density Polyethylene (HDPE)


Post - 100% recycled plastic **ecoPOSTS** with a heavy textured finish


SUPPLY METHOD

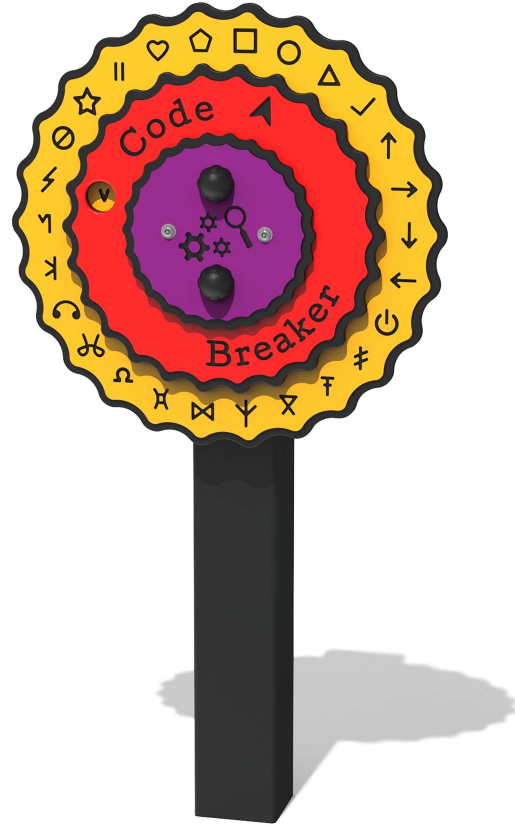
Insert - Pre-assembled

Post & Cap - Pre-assembled with fixings

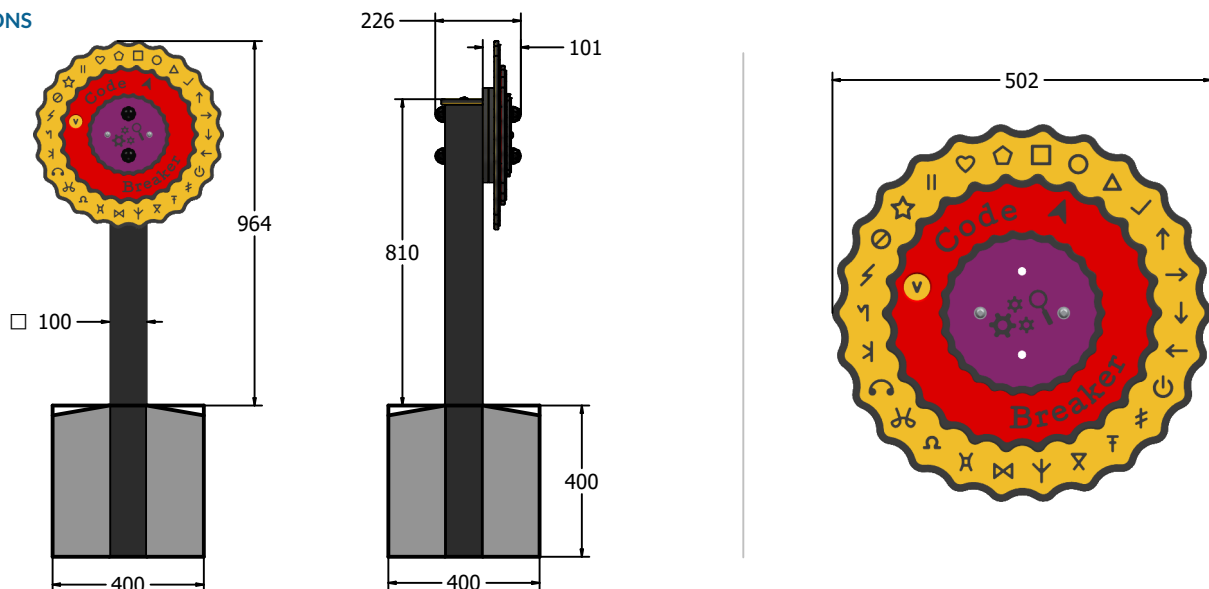
FEATURES

 **ROTATE** - Concentric spinning discs

 **LETTERS** - Align with the symbols to crack the code



DIMENSIONS



TECHNICAL

Age Range: 2+ Years
Largest Part: Ø502 x 75mm
Total Weight: 17kg Approx.
Surfacing: N/A

IMPORTANT: you must specify the colour option you require at the time of order if it is different from the colour listed/shown above, requirements are subject to availability at the time of order