

Product Information

FISPSPSMIN - Mini Spiral Spin Insert

BS EN 1176 - Designed to British & European Standards

MATERIALS

Panel - Two Colour  High Density Polyethylene (HDPE)

Window - Yellow Polycarbonate

SUPPLY METHOD

Panel - Fully Assembled

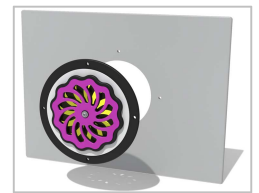
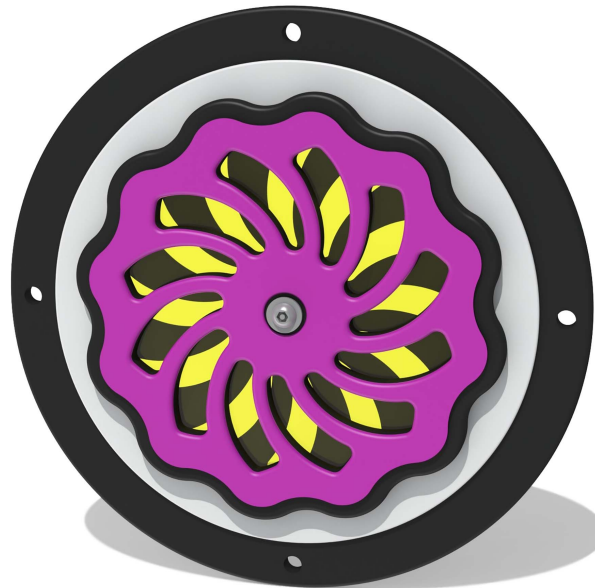
FEATURES



ROTATE - Create contrasting spiral patterns



WINDOW - Yellow Polycarbonate

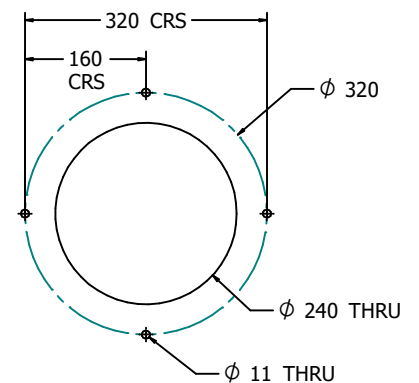


Insert can be easily attached to your own panel

DIMENSIONS



Host panel fixing detail



CAD available on request

TECHNICAL

Age Range: 2+ Years
 Largest Part: FISPSPSMIN - $\phi 350 \times 37.3\text{mm}$
 Total Weight: FISPSPSMIN - 1.6kg
 Surfacing: N/A

IMPORTANT: you must specify the colour option you require at the time of order if it is different from the colour listed/shown above, requirements are subject to availability at the time of order