

Product Information

FIMPSLNB-15 - Multi-Play Sloping Net Bridge

BS EN 1176 - Designed to British & European Standards

MATERIALS

Panel - High Density  Polyethylene (HDPE)

Ropes - Steel core rope sheathed with braided nylon and joined with aluminium connectors

SUPPLY METHOD

Bridge - Supplied with the fixings needed to attach to platform

(Fixings to attach to posts **not included**.)

FEATURES



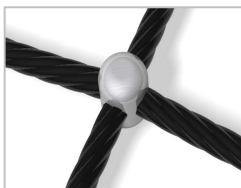
ACTIVE - Sloping Net Bridge



ROPE - Sloping Net Bridge



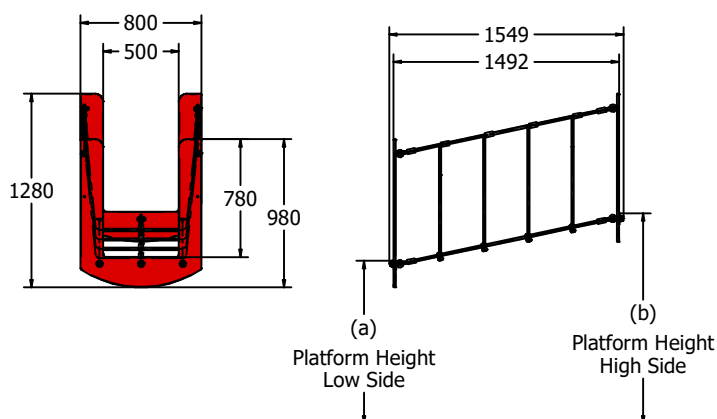
Links two platforms together with 300mm height difference



Steel Core Ropes



DIMENSIONS



(a)	(b)
600mm	900mm
900mm	1200mm
1200mm	1500mm

TECHNICAL

Age Range: 4+ Years
Largest Part: Sloping Net : 1029 x 750 x 1462mm
Heaviest Part: Sloping Net Approx. 32kg
Total Weight: Approx. 43kg
Surfacing: 1.5m from the extents of the equipment with a critical fall height in excess of (a/b).
 If higher than 1.5m surfacing extents will increase, consult BS EN 1176 for details

IMPORTANT: you must specify the colour option you require at the time of order if it is different from the colour listed/shown above, requirements are subject to availability at the time of order