

# Product Information

## FIECOTUBE45-WP - Eco Tube Chimes Angled

BS EN 1176 - Designed to British & European Standards



### MATERIALS

- Panels** - Two Colour High Density Polyethylene (HDPE)
- Posts** - 100% recycled plastic with a heavy textured finish
- Chimes** - Multi-coloured anodised aluminium tube chimes

### SUPPLY METHOD

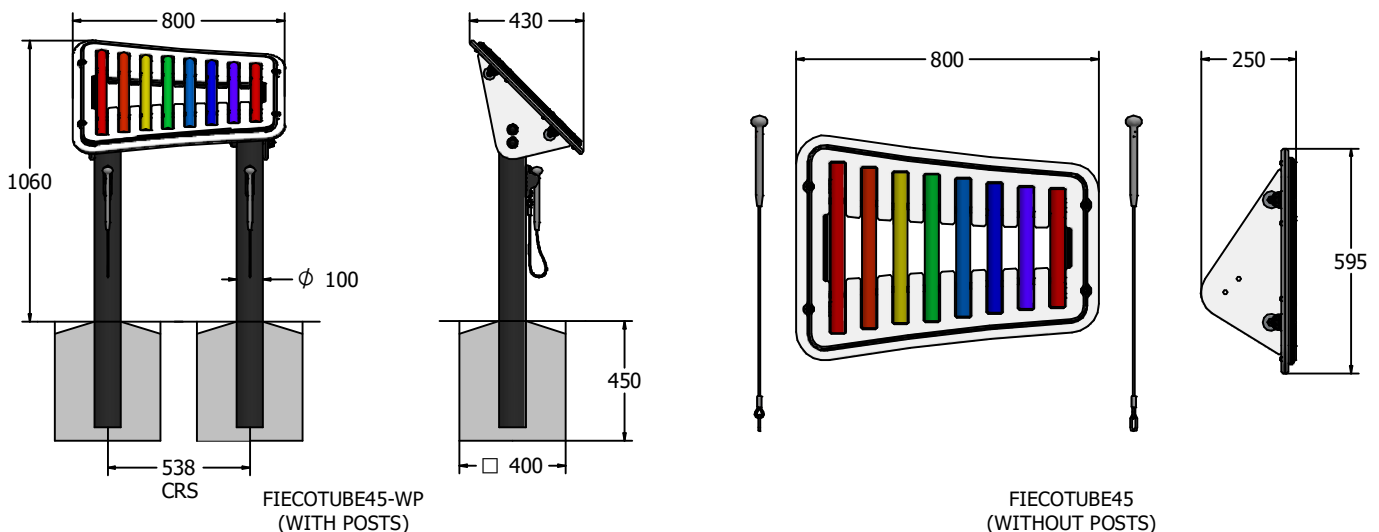
- Panel** - Assembled
- Posts** - Includes post caps
- Beaters** - Assembled

### FEATURES

-  **INCLUSIVE** - Chimes positioned at easily accessible height
-  **MUSICAL** - Set of 8 musically tuned chimes



### DIMENSIONS



### TECHNICAL

**Age Range:** 2+ Years  
**Largest Part:** FIECOTUBE45-WP - 1460 x 800 x 430mm  
**Heaviest Part:** Panel Assembly - 14kg Approx.  
**Total Weight:** 32kg Approx.  
**Surfacing:** N/A

**Age Range:** 2+ Years  
**Largest Part:** FIECOTUBE45 - 595 x 800 x 250mm  
**Total Weight:** 14kg Approx.  
**Surfacing:** N/A

IMPORTANT: you must specify the colour option you require at the time of order if it is different from the colour listed/shown above, requirements are subject to availability at the time of order