

Product Information

FIWASHMIN - Mini Washing Machine Insert

BS EN 1176 - Designed to British & European Standards

MATERIALS

Panel - Two Colour **XDeco** High Density Polyethylene (HDPE)

Windows - Clear Polycarbonate

Balls - Moulded Plastic with Matte Finish

SUPPLY METHOD

Panel - Fully assembled

FEATURES



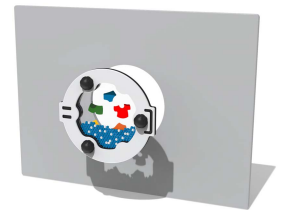
ROTATE - 360° turn insert



VISUAL - Moving coloured balls

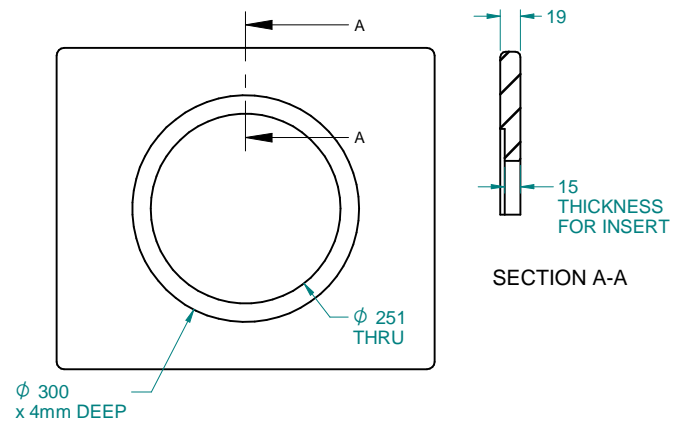
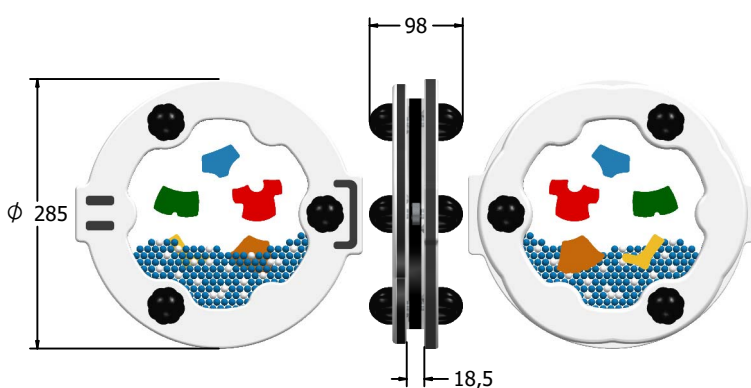


SOUND - Swishing water balls



Insert can be easily attached to your own panel

DIMENSIONS



TECHNICAL

Age Range: 2+ Years
 Largest Part: $\phi 285 \times 100\text{mm}$
 Total Weight: 2kg Approx.
 Surfacing: N/A

IMPORTANT: you must specify the colour option you require at the time of order if it is different from the colour listed/shown above, requirements are subject to availability at the time of order