

Product Information

FIVOLCSMIN - Mini Volcano Insert

BS EN 1176 - Designed to British & European Standards

MATERIALS

Panel - Two Colour **XDeco** High Density Polyethylene (HDPE)

Windows - Clear Polycarbonate


Balls - Moulded Plastic with Matte Finish

SUPPLY METHOD

Panel - Fully assembled

FEATURES

 **ROTATE** - 360° turn insert

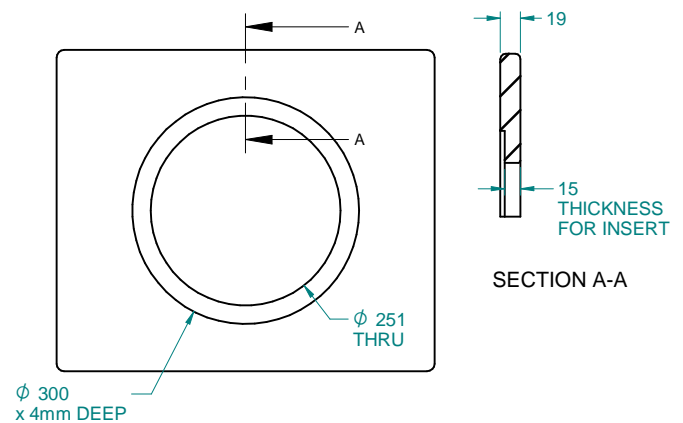
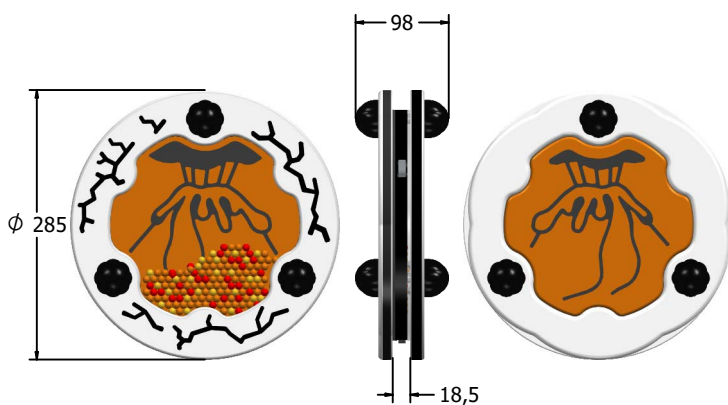
 **VISUAL** - Moving coloured balls

 **SOUND** - Swishing lava balls



Insert can be easily attached to your own panel

DIMENSIONS



TECHNICAL

Age Range: 2+ Years
 Largest Part: $\text{\O}285 \times 100\text{mm}$
 Total Weight: 2kg Approx.
 Surfacing: N/A

IMPORTANT: you must specify the colour option you require at the time of order if it is different from the colour listed/shown above, requirements are subject to availability at the time of order