

# Product Information

## FIRBOWMIN - Mini Rainbow Insert

BS EN 1176 - Designed to British & European Standards

### MATERIALS

**Panel** - Two Colour High Density Polyethylene (HDPE)

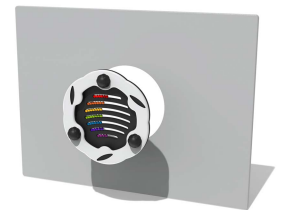
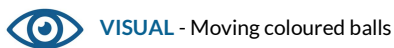
**Windows** - Clear Polycarbonate

**Balls** - Moulded Plastic with Matte Finish

### SUPPLY METHOD

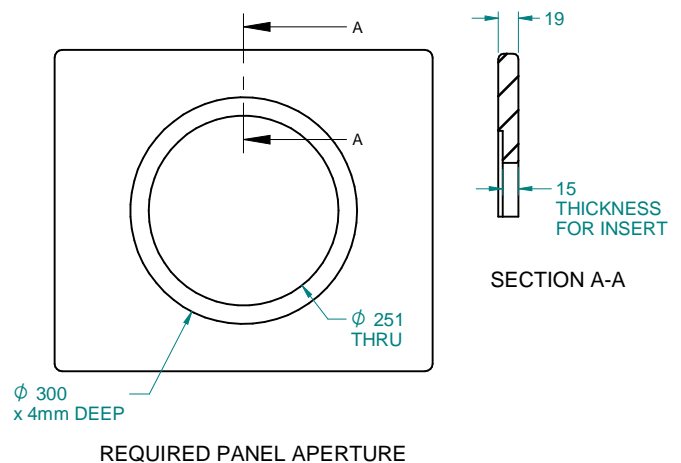
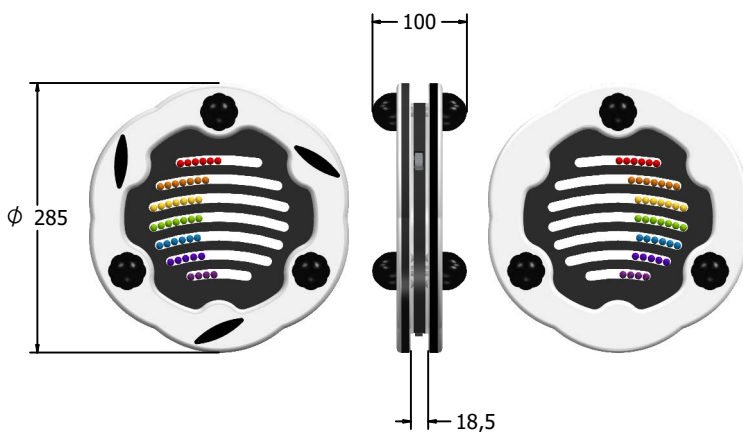
**Panel** - Fully assembled

### FEATURES



Insert can be easily attached to your own panel

### DIMENSIONS



### TECHNICAL

**Age Range:** 2+ Years  
**Largest Part:**  $\phi 285 \times 100\text{mm}$   
**Total Weight:** 2kg Approx.  
**Surfacing:** N/A

IMPORTANT: you must specify the colour option you require at the time of order if it is different from the colour listed/shown above, requirements are subject to availability at the time of order