

Product Information

FIPTSTRWHINRG - RotoGen Steering Wheel Insert

BS EN 1176 - Designed to British & European Standards

MATERIALS

Panel - Two Colour High Density Polyethylene (HDPE)

SUPPLY METHOD

Insert - Fully assembled

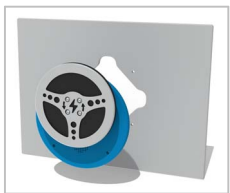
FEATURES



ROTOGEN - Human powered energy for electronics



SOUND - Car sounds when wheel is moved

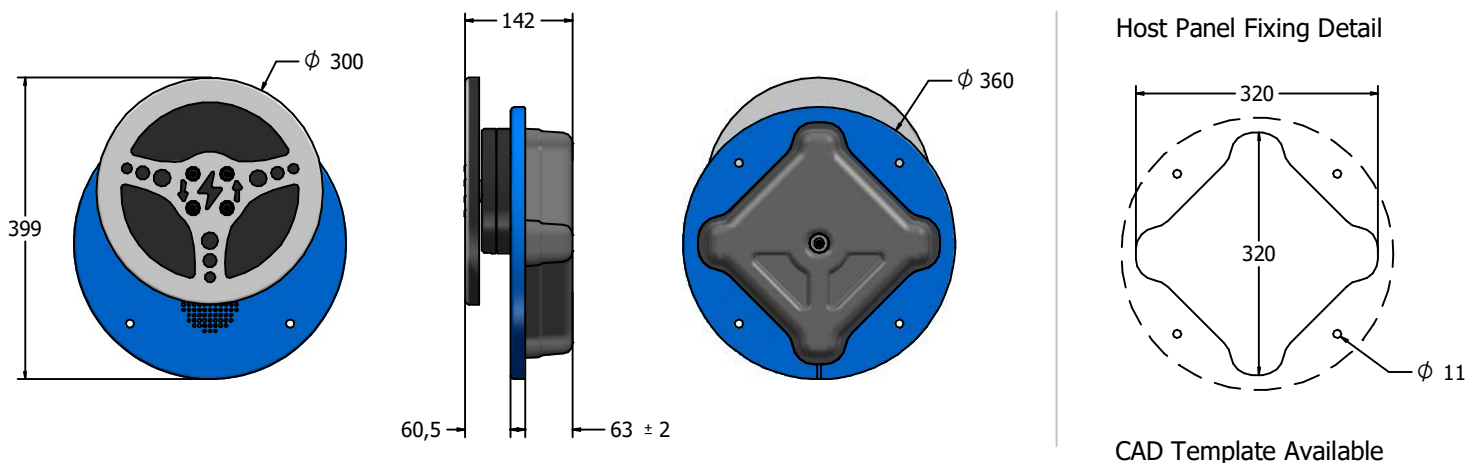


Insert can be easily attached to your own panel



Electronics Guarantee

DIMENSIONS



TECHNICAL

Age Range: 2+ Years
 Largest Part: 399 x 360 x 142mm
 Total Weight: 7kg
 Surfacing: N/A

IMPORTANT: you must specify the colour option you require at the time of order if it is different from the colour listed/shown above, requirements are subject to availability at the time of order