

Product Information

FIEXPLORERSMIN - Mini Solar Explorer Insert

BS EN 1176 - Designed to British & European Standards

MATERIALS

Panel - Two Colour High Density Polyethylene (HDPE)

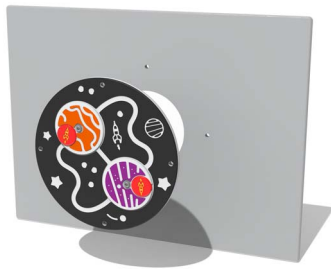
SUPPLY METHOD

Panel - Fully Assembled

FEATURES

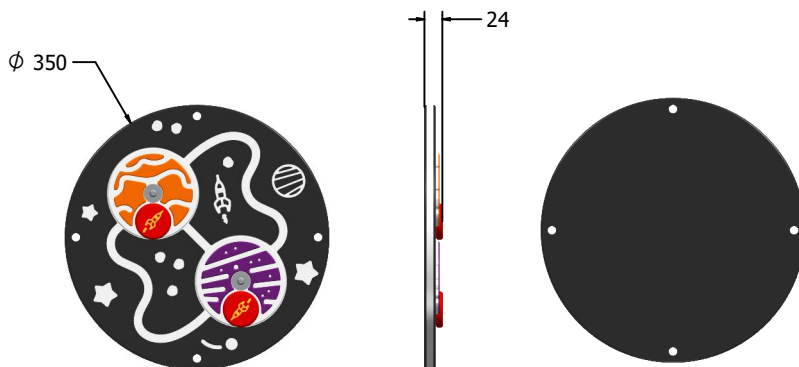
 **SLIDERS** - Rocket Counters

 **ROTATE** - Planet Discs

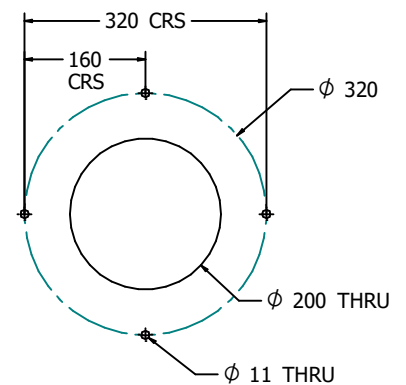


Insert can be easily attached to your own panel

DIMENSIONS



Host panel fixing detail



CAD available on request

TECHNICAL

Age Range: 2+ Years
 Largest Part: $\phi 350 \times 24\text{mm}$
 Total Weight: 1.4Kg
 Surfacing: N/A

IMPORTANT: you must specify the colour option you require at the time of order if it is different from the colour listed/shown above, requirements are subject to availability at the time of order