

Product Information

FITUWAV18 - Wave Tube Tunnel

BS EN 1176 - Designed to British & European Standards

MATERIALS

Panel - Two Colour High Density Polyethylene (HDPE)

Tube Tunnel - HDPE

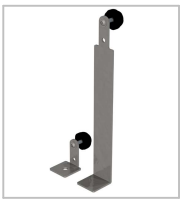
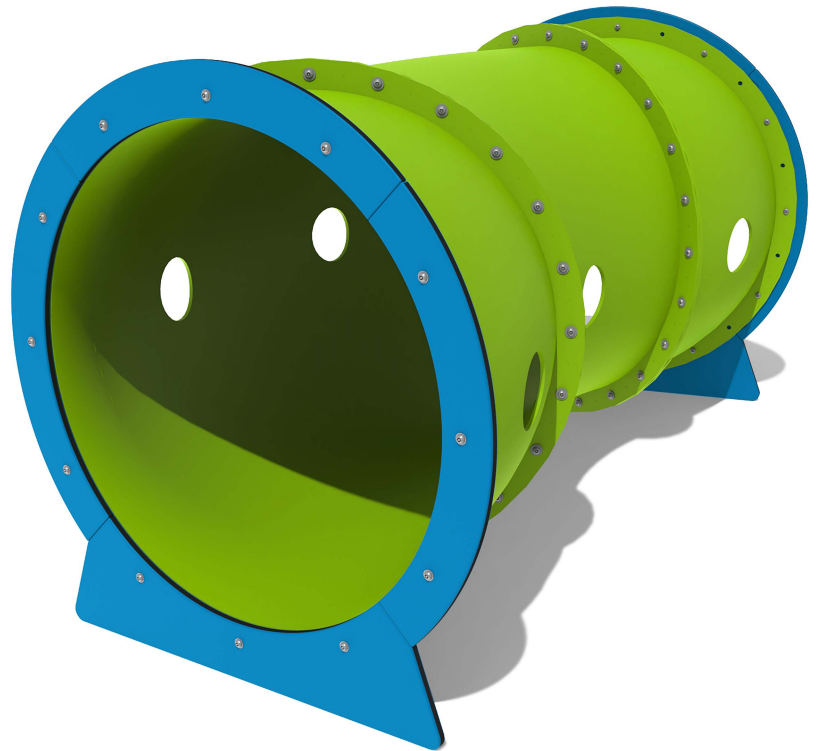
SUPPLY METHOD

Tube Tunnel - Fully assembled

FEATURES

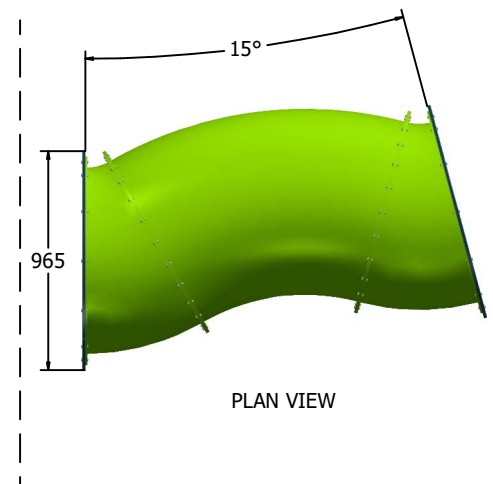
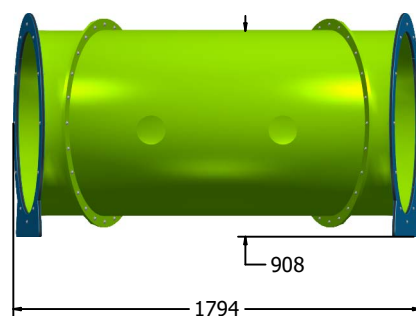
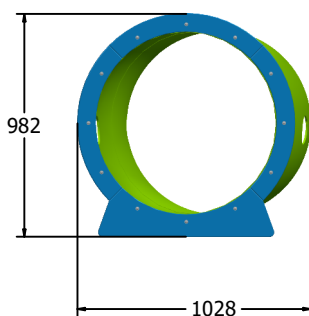


TUNNEL - Wave crawl through Tube Tunnel



Surface or below ground fixing brackets available as an additional extra.

DIMENSIONS



TECHNICAL

Age Range:	2+ Years
Largest Part:	FITUWAV18 - 1794 x 1028 x 982mm
Total Weight:	FITUWAV18 - 48kg Approx.
FFH (Free Fall Height):	908mm
Surfacing:	1.5m from extremes of equipment

IMPORTANT: you must specify the colour option you require at the time of order if it is different from the colour listed/shown above, requirements are subject to availability at the time of order