

# Product Information

## FITUSEN18 - Sensory Tube Tunnel

BS EN 1176 - Designed to British & European Standards

### MATERIALS

Panel - Two Colour High Density Polyethylene (HDPE)

Tube Tunnel - HDPE

### SUPPLY METHOD

Tube Tunnel - Fully assembled

### FEATURES



**TUNNEL** - Sensory crawl through Tube Tunnel



**WINDOW** - Shaped polycarbonate windows



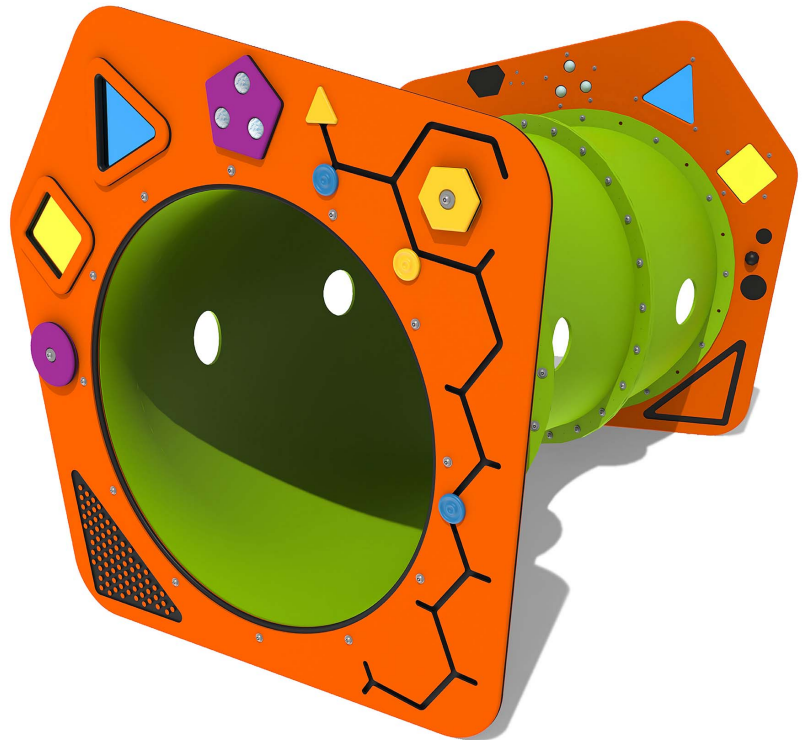
**ROLLER BALL** - Pentagon with 3 blue roller balls



**SLIDERS** - Hexagonal shaped counter path

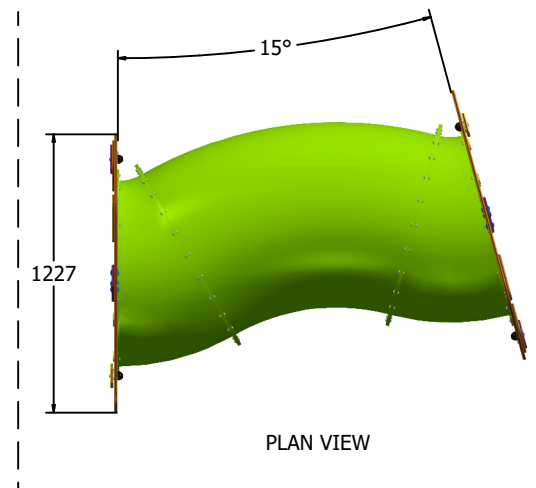
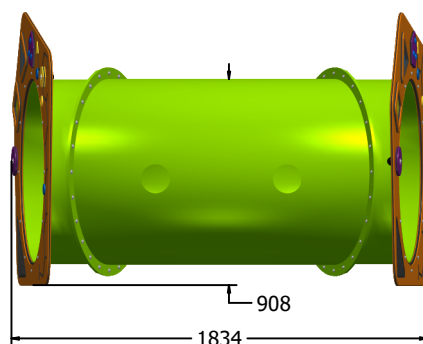
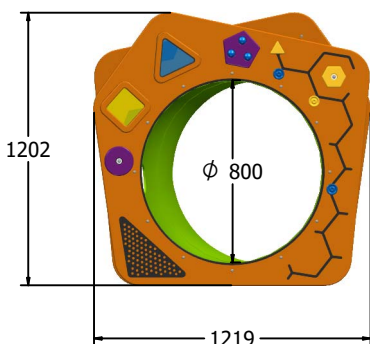


**ROTATE** - Spinning shaped discs



Surface or below ground fixing brackets available as an additional extra.

### DIMENSIONS



### TECHNICAL

Age Range:	2+ Years
Largest Part:	FITUSEN18 - 1834 x 1219 x 1202mm
Total Weight:	FITUSEN18 - 60.1kg Approx.
FFH (Free Fall Height):	909mm
Surfacing:	1.5m from extremes of equipment

IMPORTANT: you must specify the colour option you require at the time of order if it is different from the colour listed/shown above, requirements are subject to availability at the time of order