


Product Information

FIMPTUSP1800-15 - Multi-Play Spiral Tube Slide

BS EN 1176 - Designed to British & European Standards

MATERIALS

Panel - Two Colour  High Density Polyethylene (HDPE)

Slide - Polyethylene with a smooth finish

Supports - Stainless Steel

SUPPLY METHOD

Slide - Supplied in sections with fixings

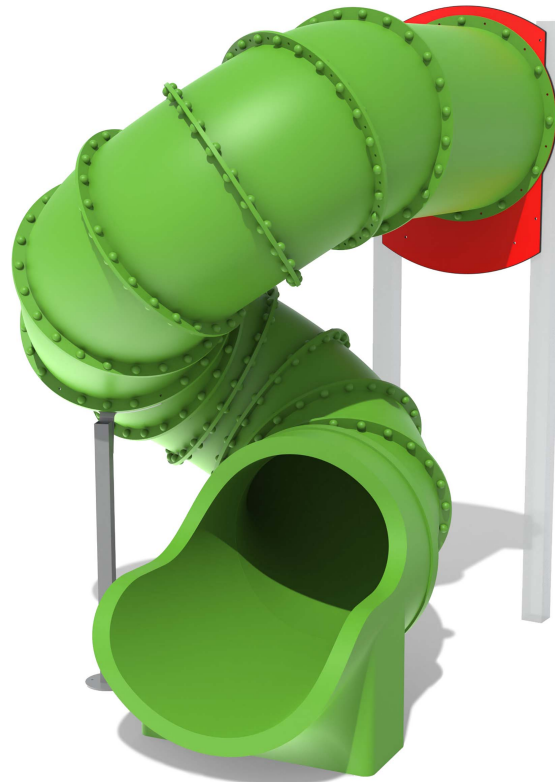
Panel and Supports - Supplied separately with fixings

(Fixings to attach to posts **not included**.)

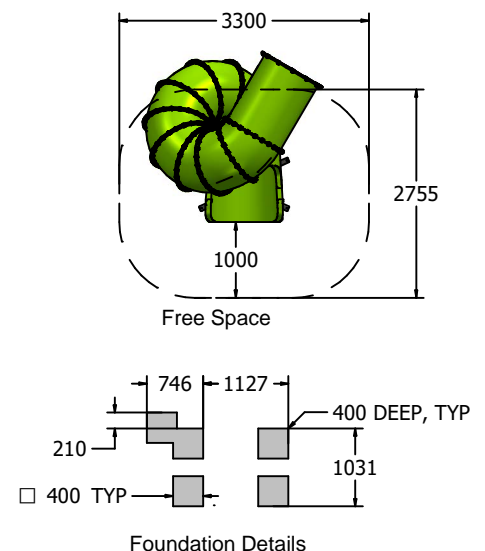
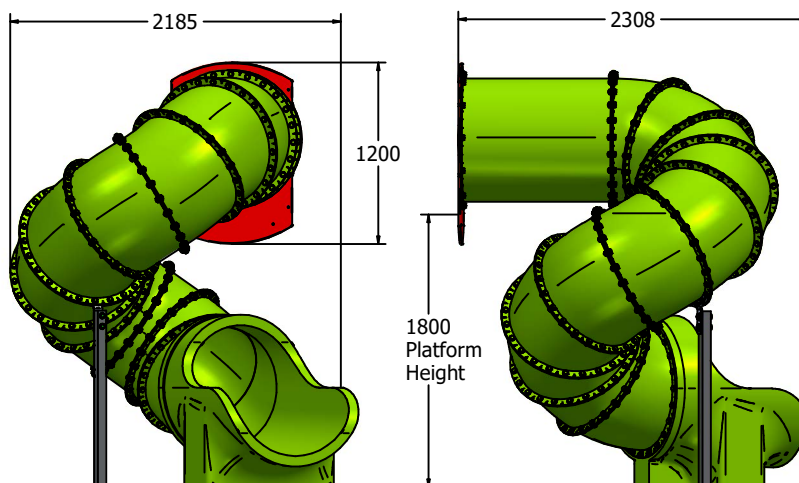
FEATURES



SLIDE - Moulded Tube Slide



DIMENSIONS & FOUNDATION



TECHNICAL

Age Range: 4+ Years
Largest Part: Entry Panel - 925 x 1200 x 15mm
Heaviest Part: Slide Exit - 32kg
Total Weight: Approx. 180kg
Free Space: See diagram above right
Surfacing: 1.5m from the extents with a 2m run out. Critical Fall Height in excess of 1.8m

IMPORTANT: you must specify the colour option you require at the time of order if it is different from the colour listed/shown above, requirements are subject to availability at the time of order