

# Product Information

## FIMPTUSP1500-15 - Multi-Play Spiral Tube Slide

BS EN 1176 - Designed to British & European Standards

### MATERIALS

**Panel** - Two Colour **XD<sub>eco</sub>** High Density Polyethylene (HDPE)

**Slide** - Polyethylene with a smooth finish

**Supports** - Stainless Steel

### SUPPLY METHOD

**Slide** - Supplied in sections with fixings

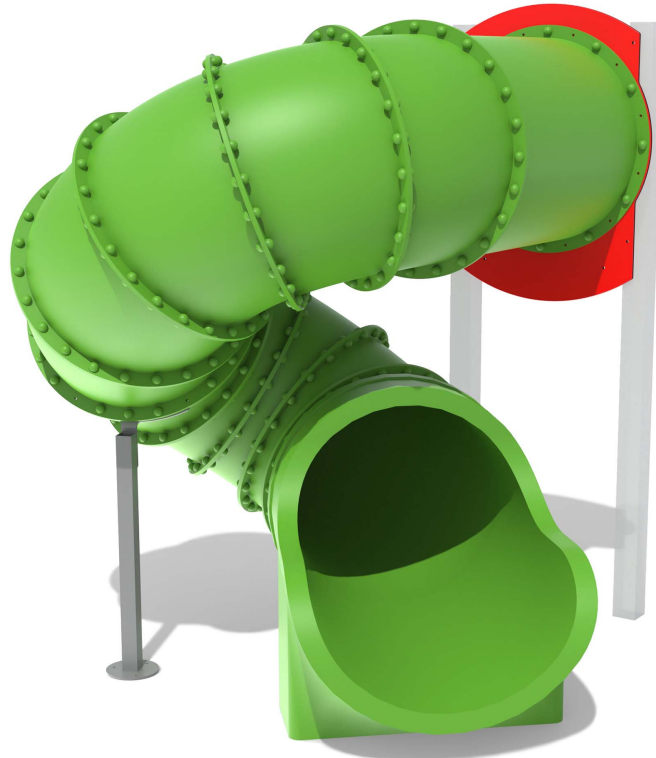
**Panel and Supports** - Supplied separately with fixings

(Fixings to attach to posts **not included**.)

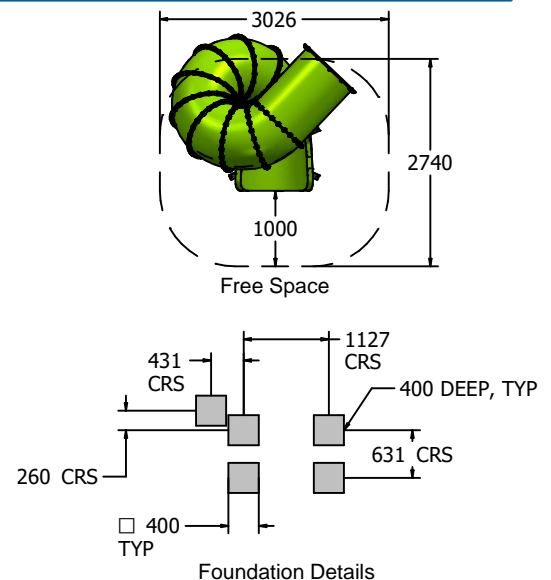
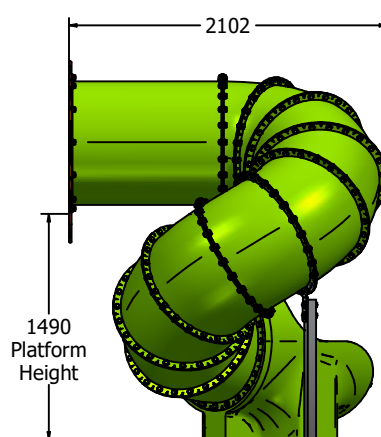
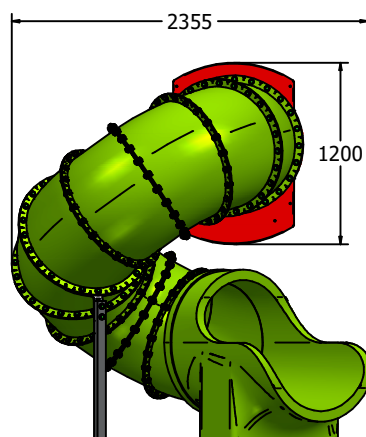
### FEATURES



**SLIDE** - Moulded Tube Slide



### DIMENSIONS & FOUNDATION



### TECHNICAL

<b>Age Range:</b>	4+ Years
<b>Largest Part:</b>	Entry Panel - 925 x 1200 x 15mm
<b>Heaviest Part:</b>	Slide Exit - 32kg
<b>Total Weight:</b>	Approx. 169kg
<b>Free Space:</b>	See diagram above right
<b>Surfacing:</b>	1.5m from the extents of the slide with a 2m run out. Critical Fall Height in excess of 1.5m

IMPORTANT: you must specify the colour option you require at the time of order if it is different from the colour listed/shown above, requirements are subject to availability at the time of order