

# Product Information

## FIDENMUS - Musical Den

BS EN 1176 - Designed to British & European Standards

### MATERIALS

**Panels** - Two Colour  High Density Polyethylene (HDPE)

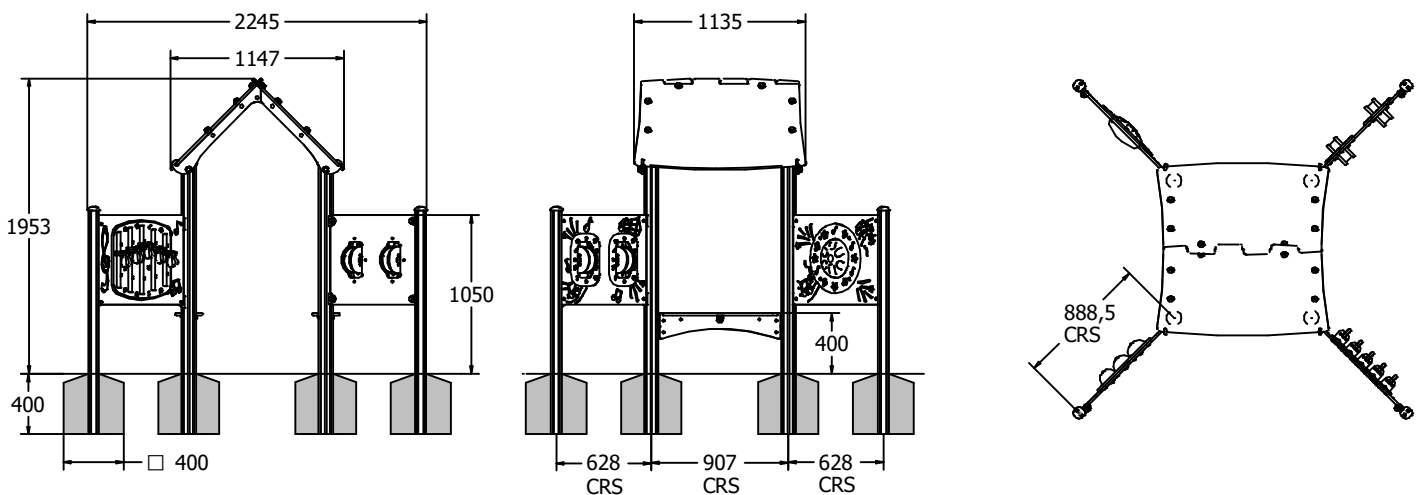
**Posts** - Extruded aluminium post with powder coat finish

### SUPPLY METHOD

Pre-assembled items: Roof, Benches, Panels, Mini Posts



### DIMENSIONS



### TECHNICAL

<b>Age Range:</b>	2+ Years
<b>Largest Part:</b>	Tall Aluminium Post: 100 x 100 x 1785mm
<b>Heaviest Part:</b>	Apex Roof Half - 14.5kg
<b>Total Weight:</b>	113.5kg Approx.
<b>Surfacing:</b>	N/A

IMPORTANT: you must specify the colour option you require at the time of order if it is different from the colour listed/shown above, requirements are subject to availability at the time of order

