

Product Information

FIDENGAM - Games Den

BS EN 1176 - Designed to British & European Standards

MATERIALS

Panels - Two Colour  High Density Polyethylene (HDPE)

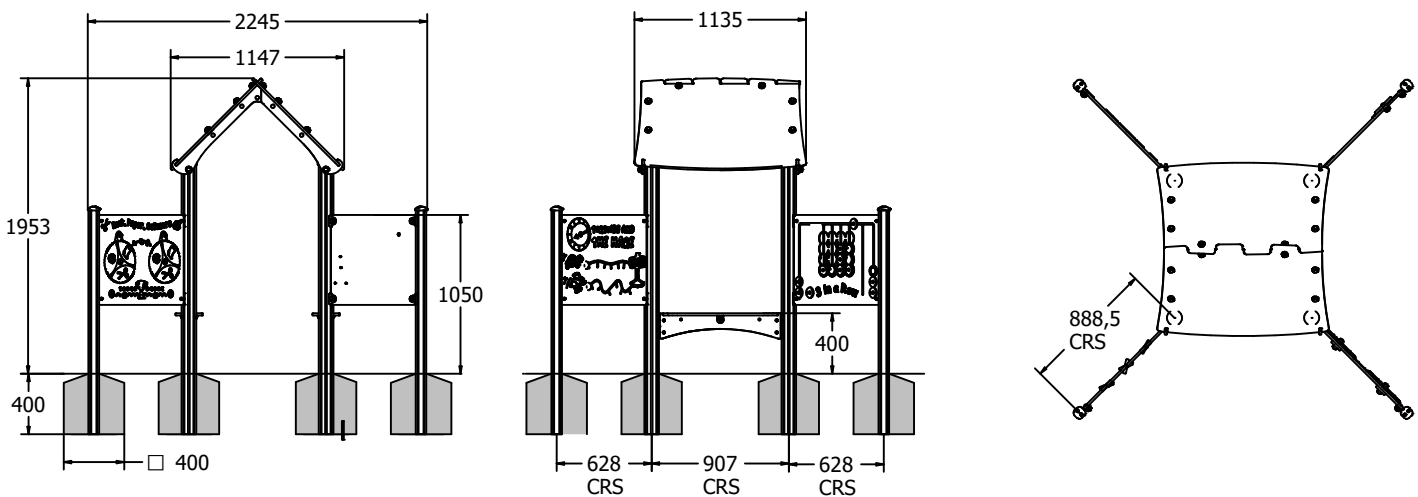
Posts - Extruded aluminium post with powder coat finish

SUPPLY METHOD

Pre-assembled items: Roof, Benches, Panels, Mini Posts



DIMENSIONS



TECHNICAL

Age Range: 2+ Years
Largest Part: Tall Aluminium Post: 100 x 100 x 1785mm
Heaviest Part: Apex Roof Half - 14.5kg
Total Weight: 100kg Approx.
Surfacing: N/A


IMPORTANT: you must specify the colour option you require at the time of order if it is different from the colour listed/shown above, requirements are subject to availability at the time of order

Product Information

FIDENGAM - Games Den



FEATURES


- 

SLIDERS - Counters used to keep score, and play race game




INCLUSIVE - Panels positioned at easily accessible heights
- 

ROTATE - Rock, Paper, Scissors and Tortoise and Hare spinners



SOCIAL - Seating and Games encourage interaction
- 

FLIP - Noughts and Crosses flip over discs
- 

COUNTER DROP - 3-in-a-row counters

IMPORTANT: you must specify the colour option you require at the time of order if it is different from the colour listed/shown above, requirements are subject to availability at the time of order