

# Product Information

## FIDENBAS - Basics Den

BS EN 1176 - Designed to British & European Standards

### MATERIALS

**Panels** - Two Colour  High Density Polyethylene (HDPE)

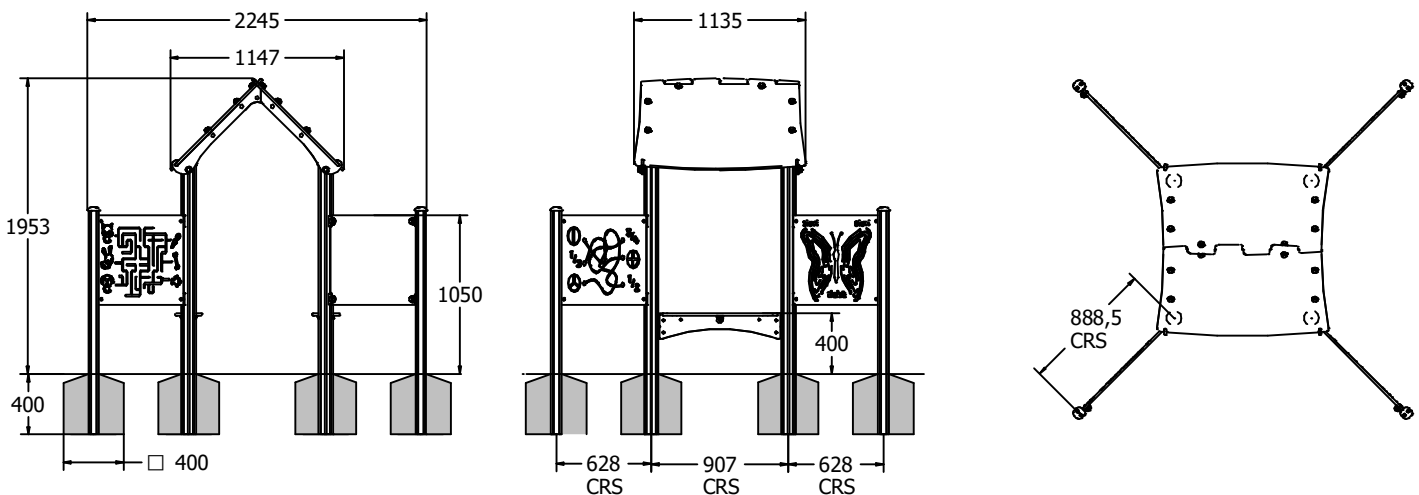
**Posts** - Extruded aluminium post with powder coat finish

### SUPPLY METHOD

Pre-assembled items: Roof, Benches, Panels, Mini Posts



### DIMENSIONS



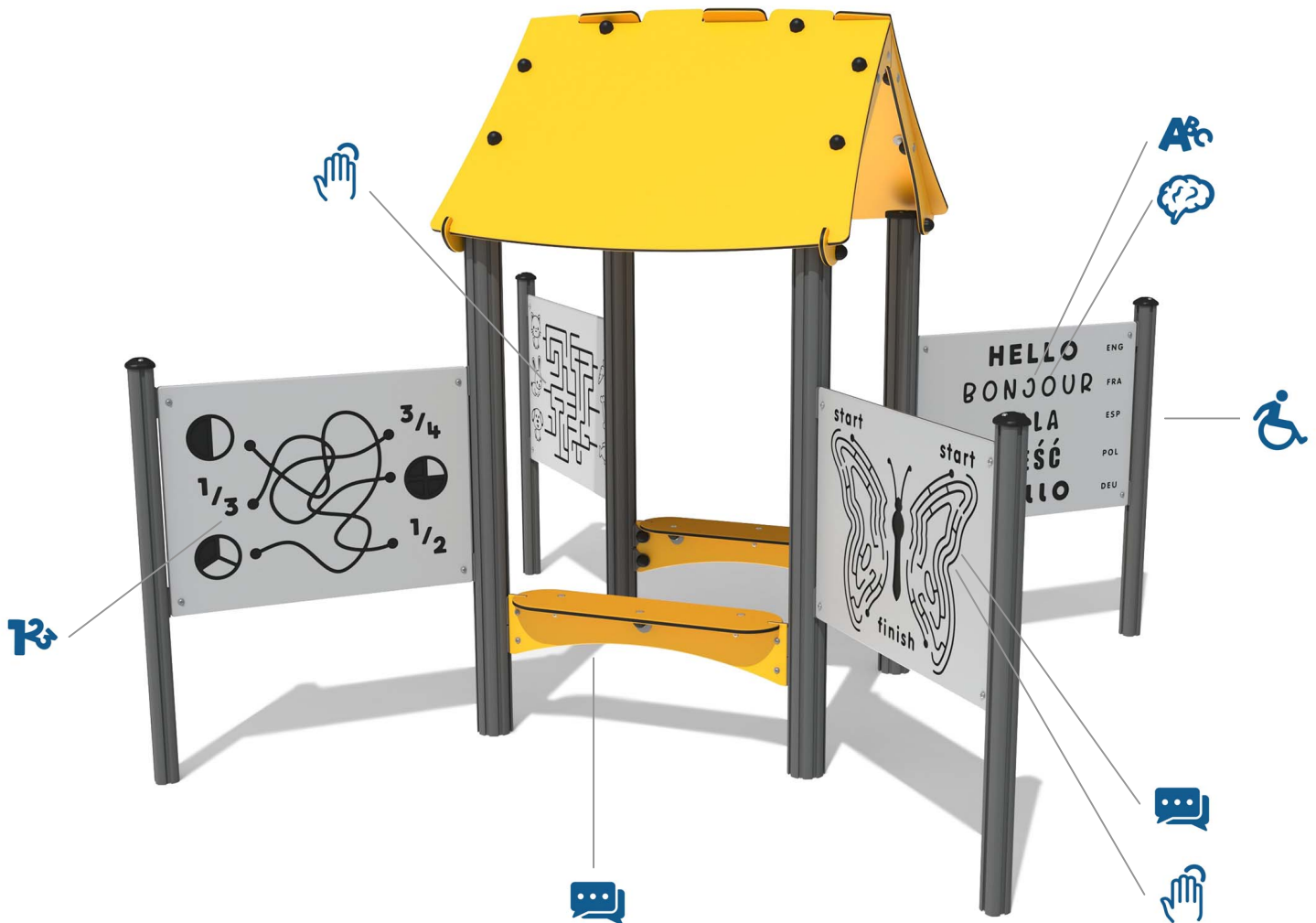
### TECHNICAL

**Age Range:** 2+ Years  
**Largest Part:** Tall Aluminium Post: 100 x 100 x 1785mm  
**Heaviest Part:** Apex Roof Half - 14.5kg  
**Total Weight:** 97kg Approx.  
**Surfacing:** N/A

IMPORTANT: you must specify the colour option you require at the time of order if it is different from the colour listed/shown above, requirements are subject to availability at the time of order

## Product Information

### FIDENBAS - Basics Den



#### FEATURES

- 

**TOUCH** - Finger Maze and Pet Food Pairing activities



**INCLUSIVE** - Panels positioned at accessible height
- 

**NUMBERS** - Develops Maths and Fractions skills



**SOCIAL** - Seating and Maze encourages interaction
- 

**LETTERS** - Learn how to spell Hello in 4 other Languages
- 

**MEMORY** - Challenges the child's ability to remember languages

IMPORTANT: you must specify the colour option you require at the time of order if it is different from the colour listed/shown above, requirements are subject to availability at the time of order