

Product Information

FIDENART - Art Den

BS EN 1176 - Designed to British & European Standards

MATERIALS

Panels - Two Colour  High Density Polyethylene (HDPE)

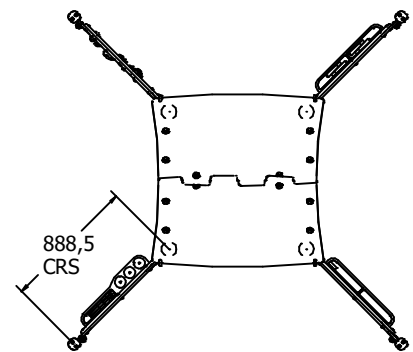
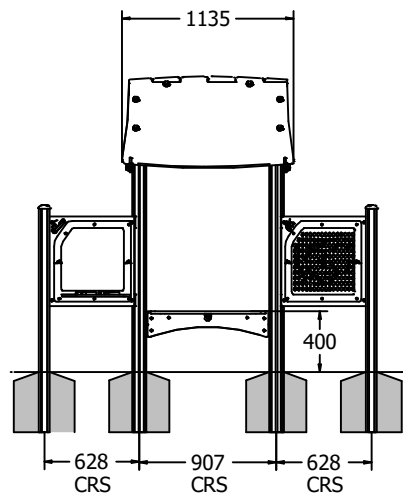
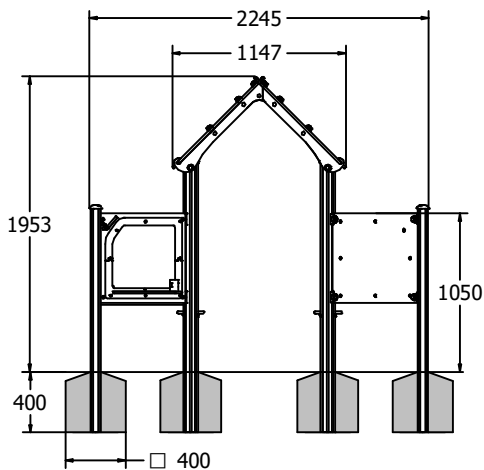
Posts - Extruded aluminium post with powder coat finish

SUPPLY METHOD

Pre-assembled items: Roof, Benches, Panels, Mini Posts



DIMENSIONS



TECHNICAL

Age Range: 2+ Years
Largest Part: Tall Aluminium Post: 100 x 100 x 1785mm
Heaviest Part: Apex Roof Half - 14.5kg
Total Weight: 105kg Approx.
Surfacing: N/A


IMPORTANT: you must specify the colour option you require at the time of order if it is different from the colour listed/shown above, requirements are subject to availability at the time of order

Product Information


FIDENART - Art Den




FEATURES


- 


WINDOW - Clear polycarbonate window




INCLUSIVE - Panels positioned at accessible height
- 

DRAW - Dry Wipe and Chalk Panels for creative play



SOCIAL - Seating encourages interaction between children
- 

VISUAL - Create patterns along the weave panel
- 

PAINT - Painting Panel with pots and brushes

IMPORTANT: you must specify the colour option you require at the time of order if it is different from the colour listed/shown above, requirements are subject to availability at the time of order