

# Product Information

## FSSSKA - Spring Balance Skateboard

BS EN 1176 - Designed to British & European Standards

### MATERIALS

Panel - Single Colour High Density Polyethylene (HDPE)

PolyDek - HDPE with a smooth rubber grip top surface

Spring & Brackets - Powder coated steel

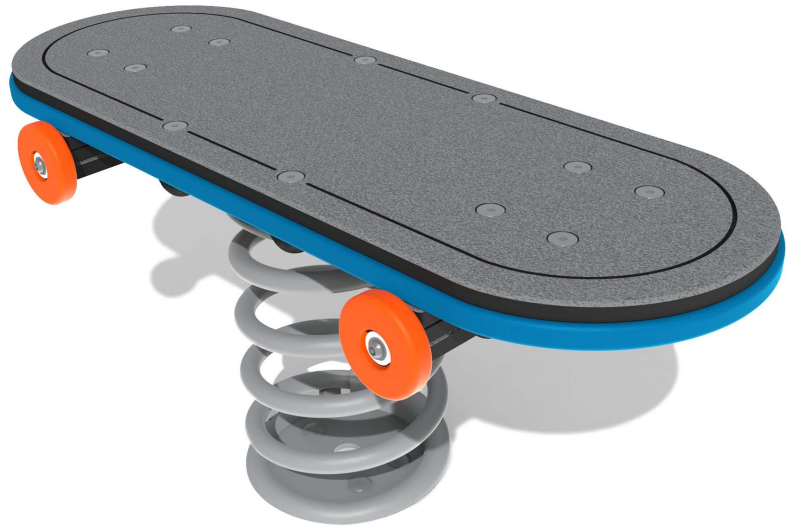
Ground Anchor - Galvanised steel

### SUPPLY METHOD

Balance Skateboard Assembly - Assembled with fixing pack

300mm Spring Assembly - Fully assembled

Ground Anchor - Loose component with fixings



### FEATURES



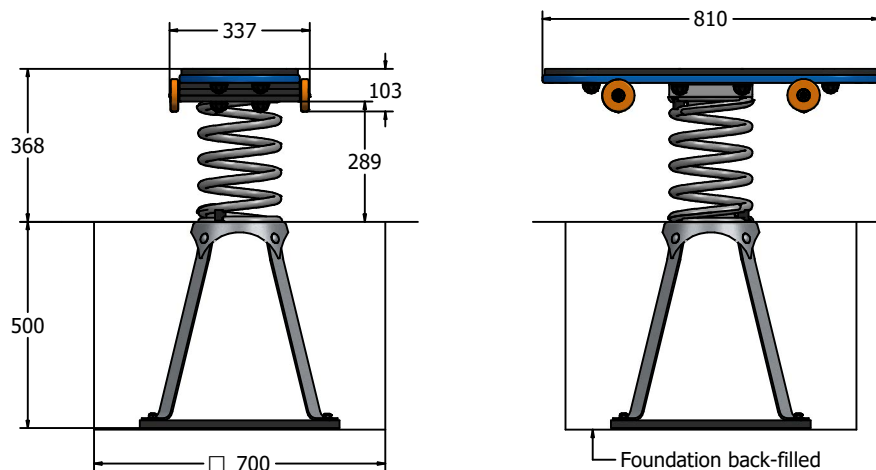
**BALANCE** - Encourages Coordination Skills



**SPRING** - Dampened spring can move in any direction



### DIMENSIONS



### TECHNICAL

<b>Age Range:</b>	2+ Years
<b>Largest Part:</b>	Skateboard Assembly - 810 x 337 x 103mm
<b>Heaviest Part:</b>	Spring Assembly - 22.5kg Approx.
<b>Total Weight:</b>	31.5kg Approx.
<b>FFH (Free Fall Height):</b>	368mm
<b>Surfacing:</b>	1.5m from extremes of equipment with a Critical Fall Height in excess of 600mm

IMPORTANT: you must specify the colour option you require at the time of order if it is different from the colour listed/shown above, requirements are subject to availability at the time of order