

Product Information

Beaters and Holders

BS EN 1176 - Designed to British & European Standards

APPLICATION

Small Beater/Mallet - Suitable for use with Fahr $\phi 38$ Tube or 38mm Flat Chimes, Bells, Tongue Drums and Cymbals.

Large Beater/Mallet - Suitable for use with Fahr $\phi 50$ mm or $\phi 76$ mm Tube Chimes and Bongos.

MATERIALS

Beater - Moulded EPDM with Nylon Coated Stainless Steel

Core Cable with Stainless Steel Chain Link

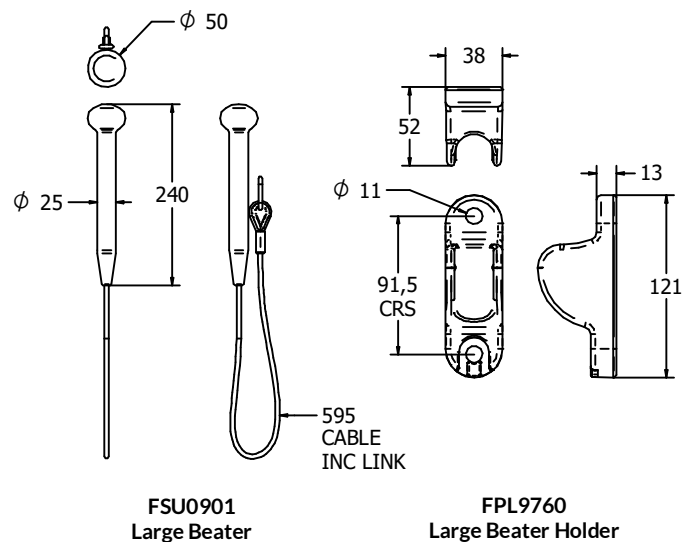
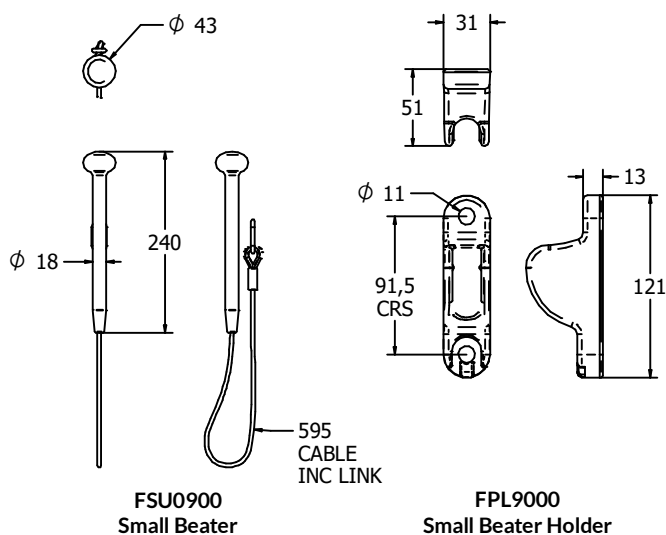
Holder - Nylon

Fixings - Stainless Steel



for fixing options see page 2

DIMENSIONS



TECHNICAL

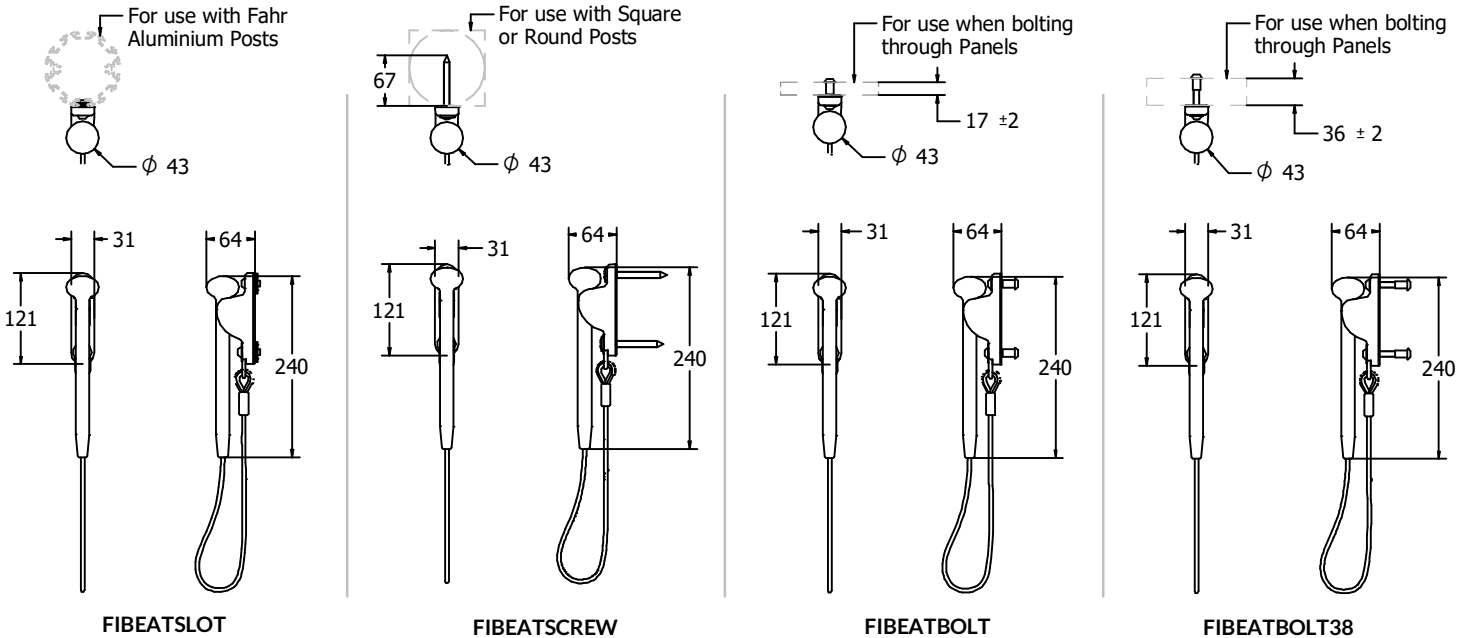
Age Range: 2+ Years
Largest Part: Small Beater/Mallet - $\phi 43 \times 840$ mm
Total Weight: Beater - 0.15kg
 Holder - 0.2kg Approx.

Age Range: 2+ Years
Largest Part: Large Beater/Mallet - $\phi 50 \times 840$ mm
Total Weight: Beater - 0.15kg
 Holder - 0.2kg Approx.

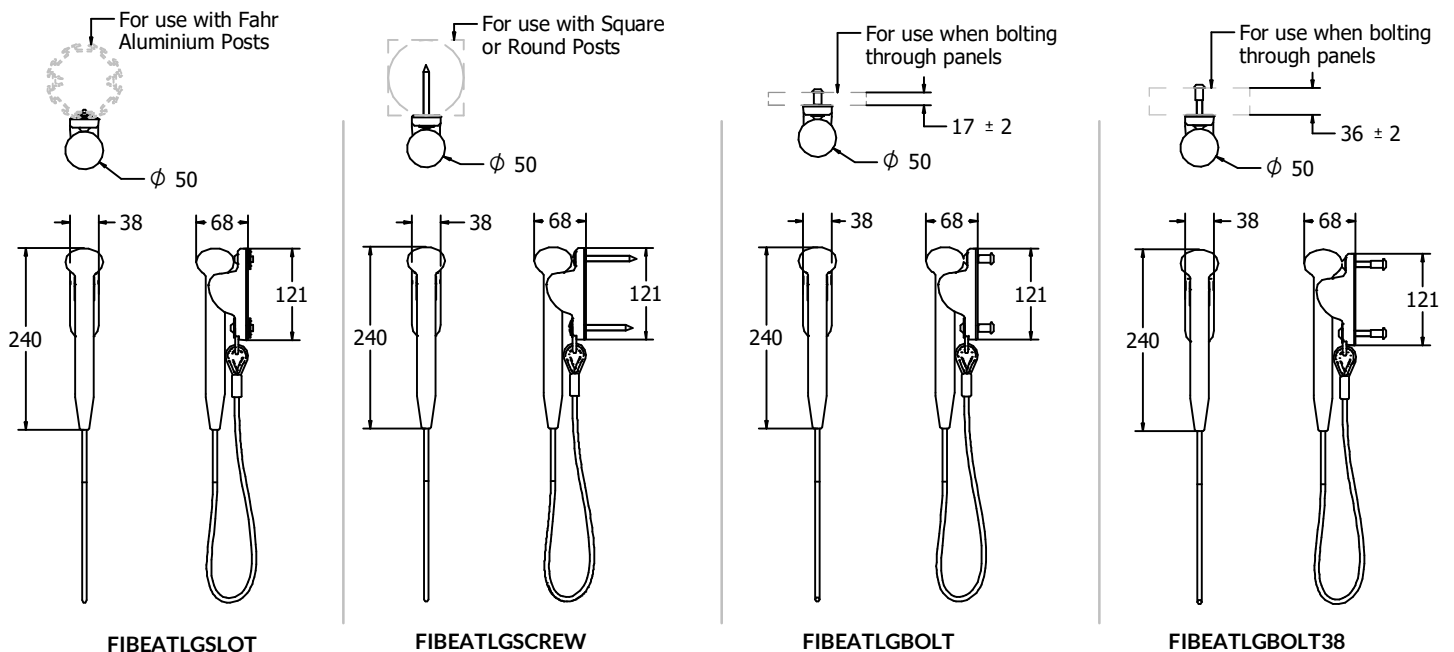
IMPORTANT: you must specify the colour option you require at the time of order if it is different from the colour listed/shown above, requirements are subject to availability at the time of order

Product Information

SMALL BEATER FIXING OPTIONS



LARGE BEATER FIXING OPTIONS



IMPORTANT: you must specify the colour option you require at the time of order if it is different from the colour listed/shown above, requirements are subject to availability at the time of order