

Product Information

FIVCYMS-AL-WP - Virtuoso Small Cymbal with Alu Post

BS EN 1176 - Designed to British & European Standards

MATERIALS

Panels - Two Colour High Density Polyethylene (HDPE)

Post - Extruded aluminium post with powder coat finish

Cymbal - Stainless Steel Disc with a smooth textured finish


SUPPLY METHOD

Support Arm - Pre-assembled

Post, Cap & Cymbal - Supplied seperately with fixings

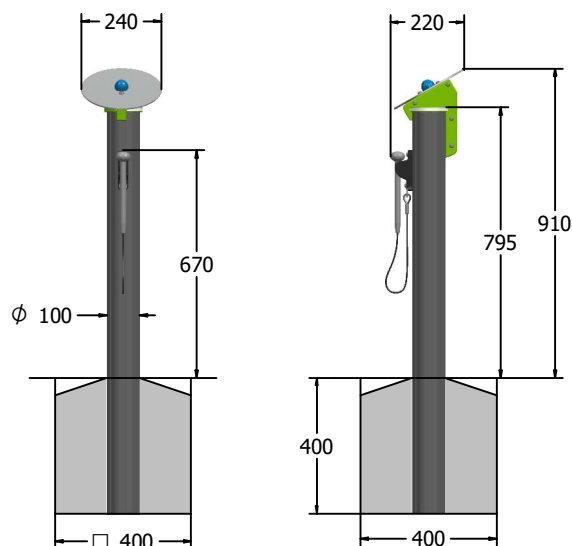
FEATURES

 **MUSICAL** - Tuned Cymbal

 **INCLUSIVE** - Cymbal positioned at accessible height



DIMENSIONS



TECHNICAL

Age Range: 2+ Years
Largest Part: Post - 1185 x ϕ 100mm
Heaviest Part: Post - 4.8kg
Total Weight: 8kg
Surfacing: N/A

IMPORTANT: you must specify the colour option you require at the time of order if it is different from the colour listed/shown above, requirements are subject to availability at the time of order