

# Product Information

## Aluminium Extruded Post with Top Cap

BS EN 1176 - Designed to British & European Standards

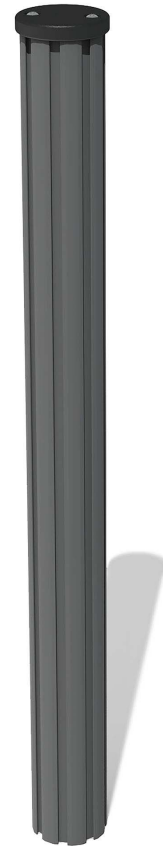
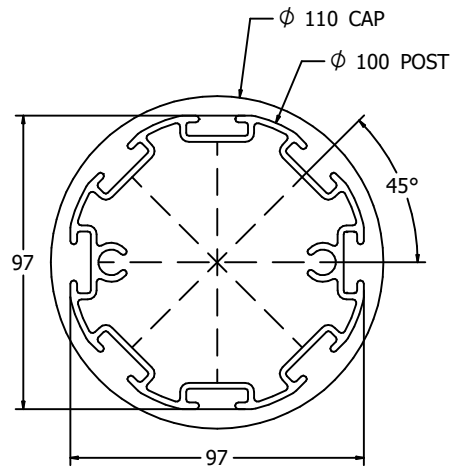
### MATERIALS

**Post Cap** - High Density Polyethylene (HDPE)

**Post** - Extruded aluminium post with powder coat finish

### SUPPLY METHOD

**Post with Cap** - Fully assembled



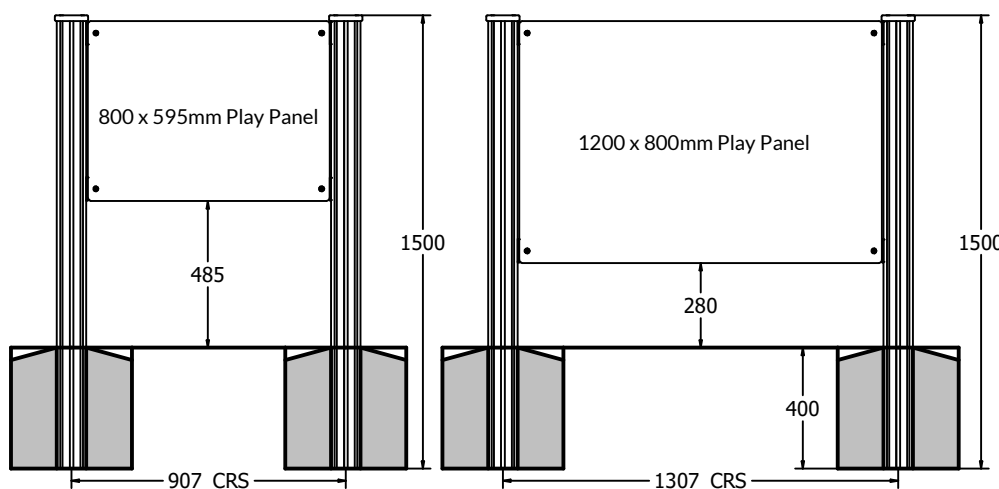
For Play Panel mounting use 2x posts with FIALBRKT4 - Panel Bracket Set For Alu Posts



Add FSA0001-A - ASTM Post Cap Addition for installations in United States of America

### DIMENSIONS

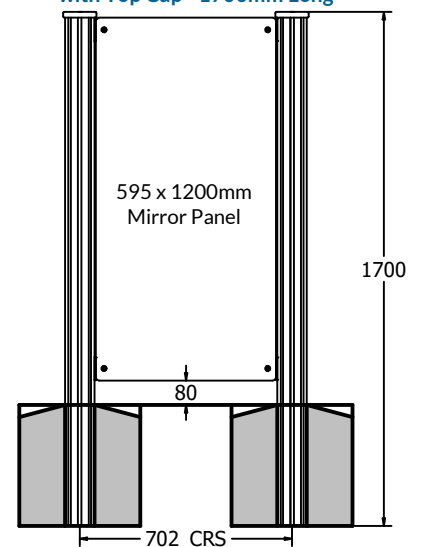
#### FIAP1500 - Alu Extruded Post with Top Cap - 1500mm Long



### TECHNICAL

**Product:** FIAP1500  
**Age Range:** N/A  
**Largest Part:**  $\phi 110 \times 1500\text{mm}$   
**Total Weight:** 4.4kg  
**Surfacing:** N/A

#### FIAP1700 - Alu Extruded Post with Top Cap - 1700mm Long



### TECHNICAL

**Product:** FIAP1700  
**Age Range:** N/A  
**Largest Part:**  $\phi 110 \times 1700\text{mm}$   
**Total Weight:** 5.3kg  
**Surfacing:** N/A

IMPORTANT: you must specify the colour option you require at the time of order if it is different from the colour listed/shown above, requirements are subject to availability at the time of order