

Product Information

FIMUDMKT-AL-WP - Rock Band Drum Kit with Alu Posts

BS EN 1176 - Designed to British & European Standards

MATERIALS

- Panels** - High Density Polyethylene (HDPE)
- Bongos** - High Density Polyethylene (HDPE)
- Metal Posts** - Extruded aluminium post with powder coat finish
- Plastic Post** - Recycled plastic with a heavy textured finish
- Cymbals** - Stainless Steel Disc with a smooth textured finish

SUPPLY METHOD

- Posts** - Includes Post Caps, T-Slot stops and Tee Nuts
- Cymbal Post Mount** - Pre-assembled
- Cymbals** - Pre-assembled
- Stool** - Pre-assembled
- Bass Drum Section** - Pre-assembled
- Bongo Drums Section** - Pre-assembled

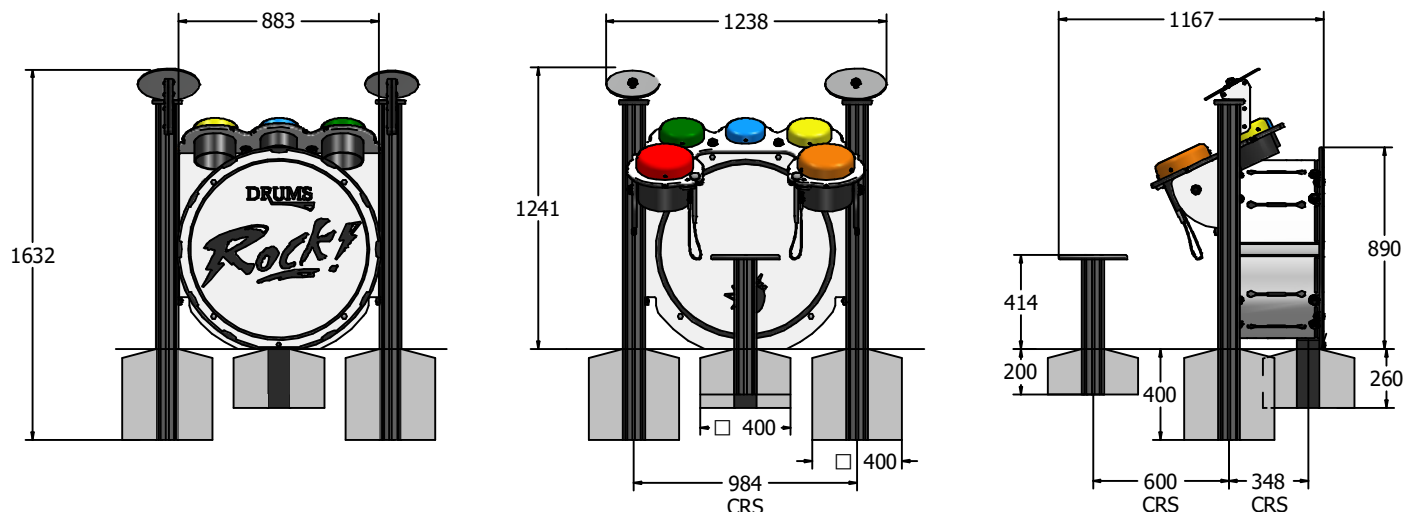
FEATURES



MUSICAL - Large bass drum, 5 unique bongo drums and 2 varied cymbals



DIMENSIONS



TECHNICAL

- Age Range:** 4+ Years
- Largest Part:** Base Drum Section: 900 x 890 x 428mm
- Heaviest Part:** Base Drum Section: 35kg
- Total Weight:** Approx. 61kg
- Surfacing:** N/A

IMPORTANT: you must specify the colour option you require at the time of order if it is different from the colour listed/shown above, requirements are subject to availability at the time of order