

Product Information

FIARLOCKIN - Airlock Insert

BS EN 1176 - Designed to British & European Standards

MATERIALS

Panel - Two Colour High Density Polyethylene (HDPE)

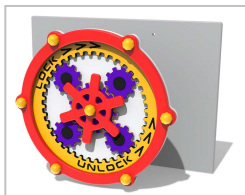
SUPPLY METHOD

Insert - Pre-assembled

FEATURES

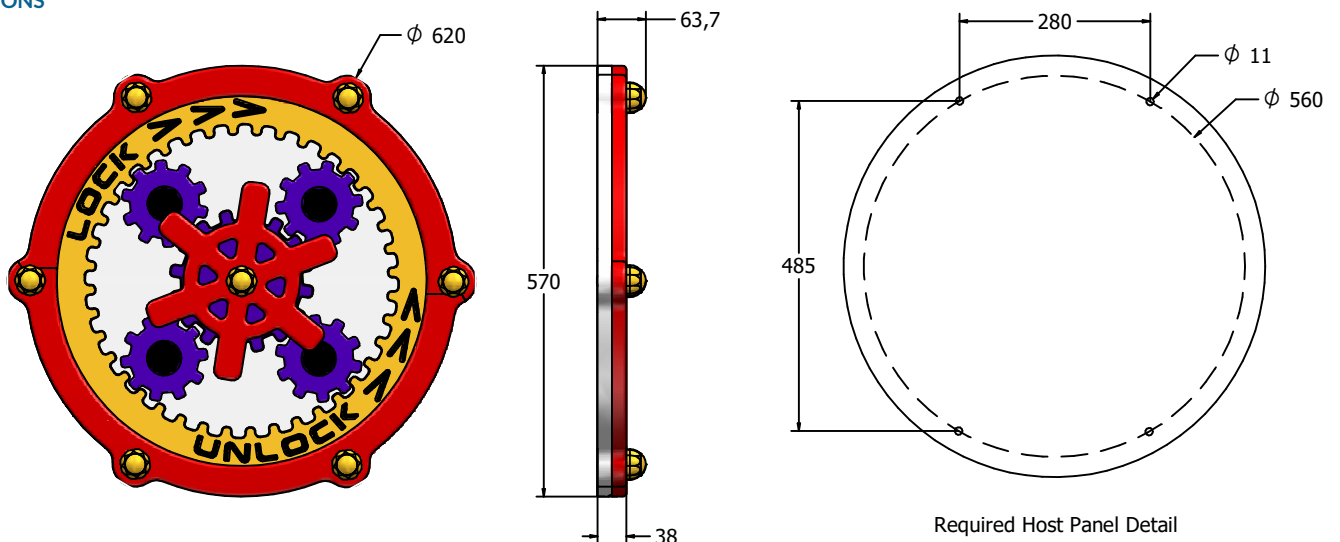


ROTATE - Turn handle to rotate the cogs



Insert can be easily attached to your own panel

DIMENSIONS



TECHNICAL

Age Range: 2+ Years
 Largest Part: FIAIRLOCKIN - ϕ 620 x 63.7 mm
 Total Weight: FIAIRLOCKIN - 6.2kg
 Surfacing: N/A

IMPORTANT: you must specify the colour option you require at the time of order if it is different from the colour listed/shown above, requirements are subject to availability at the time of order