

Product Information

FIVMWST-AL-WP - Virtuoso Small Melody Wheel Tree with Alu Post

BS EN 1176 - Designed to British & European Standards

MATERIALS

Panels - Two Colour High Density Polyethylene (HDPE)

Post - Extruded aluminium post with powder coat finish

Melody Wheel - High Density Polyethylene (HDPE)

SUPPLY METHOD

Fully Assembled

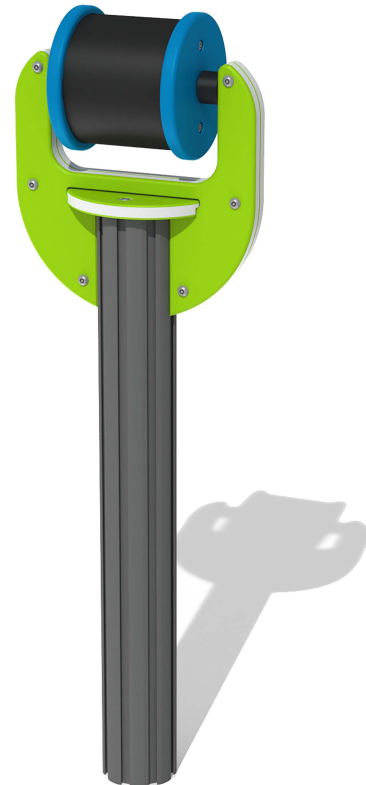
FEATURES



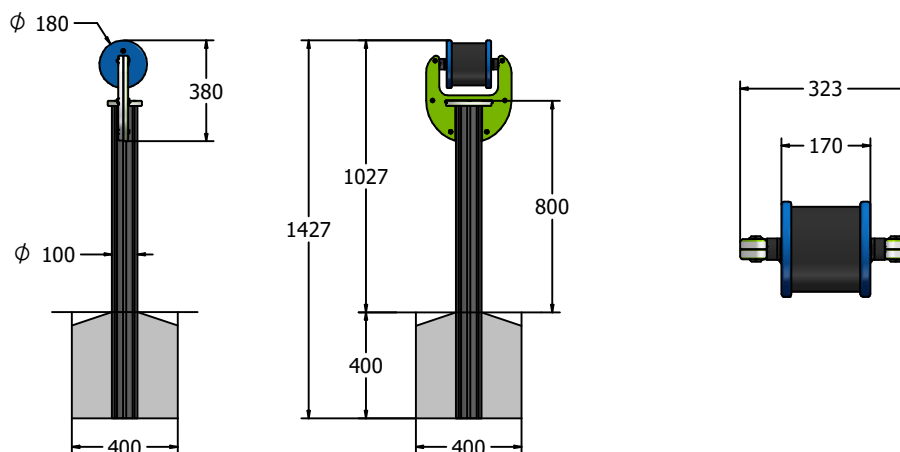
MUSICAL - Hidden cam strikes chimes inside



ROTATE - Spin at various speeds



DIMENSIONS



TECHNICAL

Age Range: 2+ Years
Largest Part: Full Assembly: 1427 x 323 x 180mm
Heaviest Part: Full Assembly: 9kg
Total Weight: 9kg
Surfacing: N/A

IMPORTANT: you must specify the colour option you require at the time of order if it is different from the colour listed/shown above, requirements are subject to availability at the time of order