

Product Information

FIMU50TUBTNS8 - 50mm Tube Chime - Bolt Fixing for 30-37mm Panel - Silver - Set of 8 - Diatonic

BS EN 1176 - Designed to British & European Standards

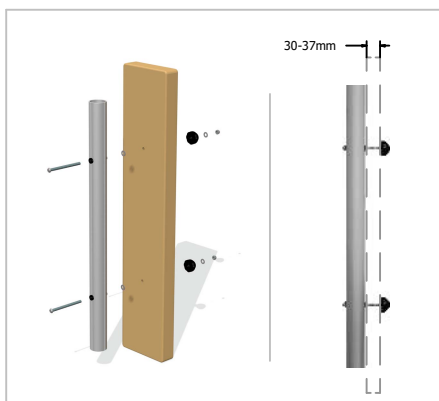
MATERIALS

Tube Chimes - Anodised aluminium with a brushed finish

SUPPLY METHOD

Tube Chimes - Individual including rubber grommets

Bolt Fixings - 2 sets per chime



Easily attach to your own surface

Choice of Beaters Available Separately:

FSU0901
Large Beater & Cable



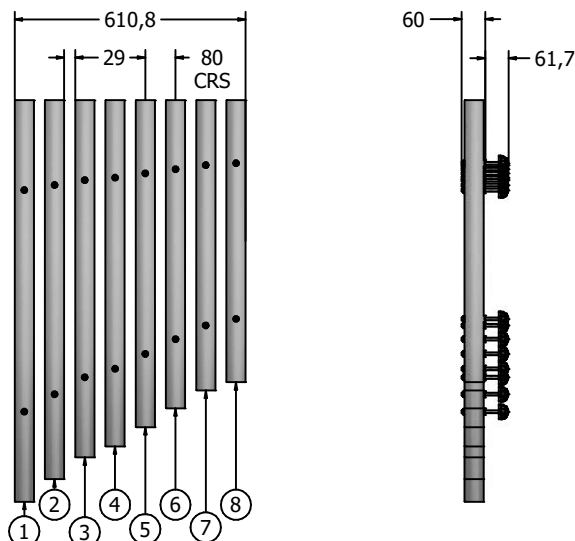
FIBEATLGSCREW
Large Beater & Holder
with Screw Fixing



FIBEATLGBOLT
Large Beater & Holder
with Bolt Fixing



DIMENSIONS



| Item | Product Code | Length | Note | Qty |
|------|----------------|--------|------|-----|
| 1 | FIMU50TUBTNSC4 | 1062.5 | C4 | 1 |
| 2 | FIMU50TUBTNSD4 | 1002.5 | D4 | 1 |
| 3 | FIMU50TUBTNSE4 | 945 | E4 | 1 |
| 4 | FIMU50TUBTNSF4 | 916 | F4 | 1 |
| 5 | FIMU50TUBTNSG4 | 865 | G4 | 1 |
| 6 | FIMU50TUBTNSA4 | 815 | A4 | 1 |
| 7 | FIMU50TUBTNSB4 | 768 | B4 | 1 |
| 8 | FIMU50TUBTNSC5 | 746 | C5 | 1 |

Chimes available separately to mix and match

TECHNICAL

Age Range: 2+ Years
Largest Part: C4 Chime - 1062.5 x ϕ 50.8mm
Heaviest Part: C4 Chime - 1.5kg Approx.
Total Weight: 11kg Approx.
Surfacing: N/A

IMPORTANT: you must specify the colour option you require at the time of order if it is different from the colour listed/shown above, requirements are subject to availability at the time of order