

# Product Information

## FICWKIN - Colour Wheel Kaleidoscope Insert

BS EN 1176 - Designed to British & European Standards

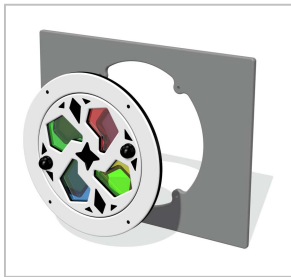
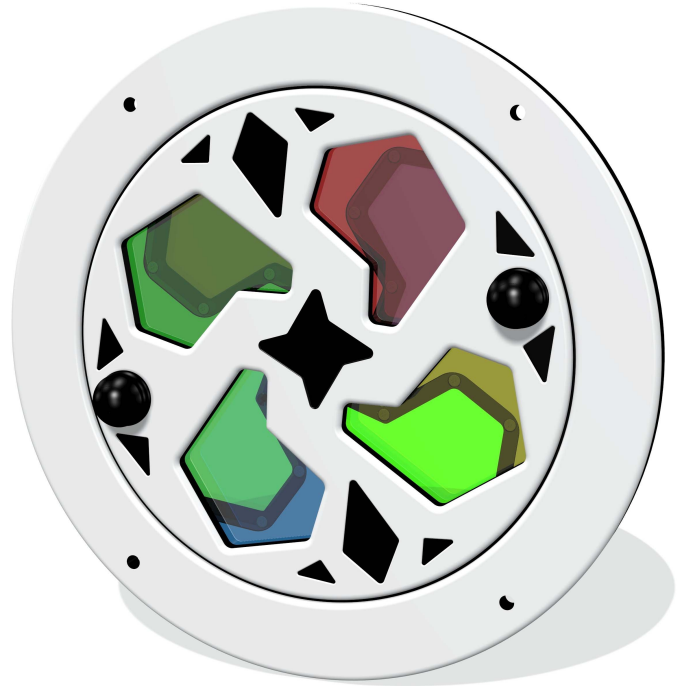
### MATERIALS

**Panel** - Two Colour High Density Polyethylene (HDPE)

**Windows** - Shatterproof Polycarbonate

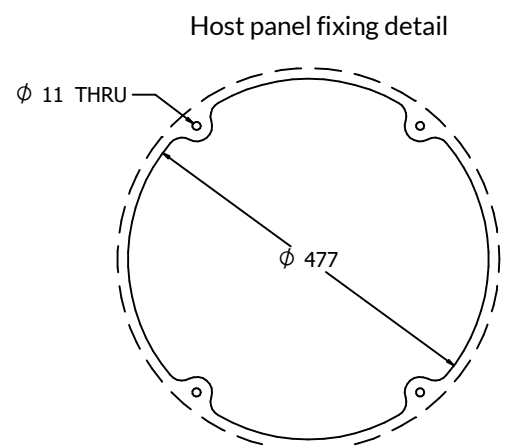
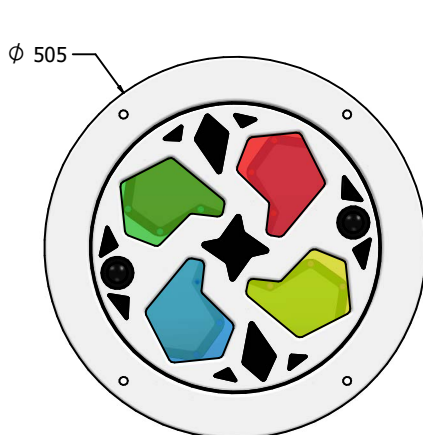
### SUPPLY METHOD

**Insert** - Fully assembled



Insert can easily attach to your own panel

### DIMENSIONS



CAD available on request

### TECHNICAL

**Age Range:** 2+ Years  
**Largest Part:**  $\phi$ 505 x 72mm  
**Total Weight:** 5.6 Kg  
**Surfacing:** N/A

IMPORTANT: you must specify the colour option you require at the time of order if it is different from the colour listed/shown above, requirements are subject to availability at the time of order