

Product Information

FIMU8FLATLOWIN - Pentatonic Flat Chimes Musical Panel Insert

BS EN 1176 - Designed to British & European Standards

MATERIALS

Panel - Two Colour High Density Polyethylene (HDPE)

Flat Chimes - Anodised aluminium with a brushed finish

SUPPLY METHOD

Insert - Fully assembled

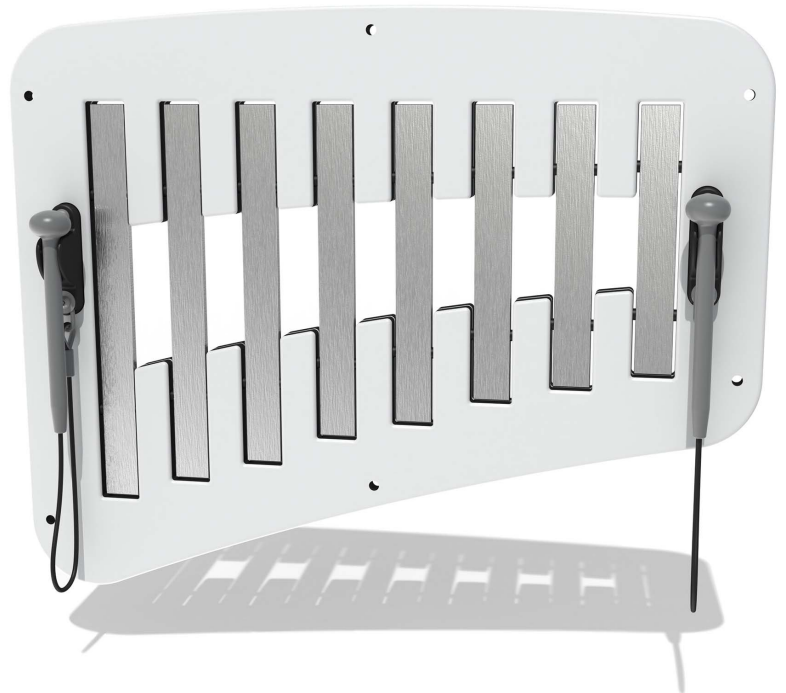
FEATURES



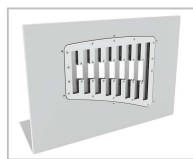
INCLUSIVE - Chimes positioned at easily accessible height



MUSICAL - Set of 8 musically tuned chimes

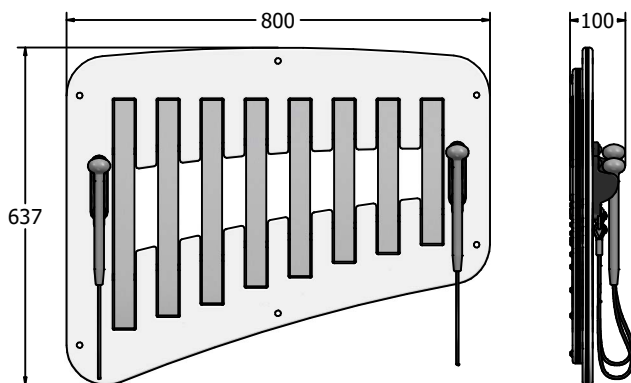


Insert can easily attach to your own panel

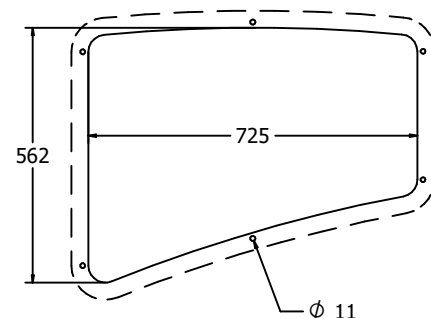


Rear view of insert attached to host panel

DIMENSIONS



Host panel fixing detail



CAD available on request

TECHNICAL

Age Range: 2+ Years
Largest Part: 800 x 637 x 100mm
Total Weight: 10kg
Surfacing: N/A

IMPORTANT: you must specify the colour option you require at the time of order if it is different from the colour listed/shown above, requirements are subject to availability at the time of order