

Product Information

FIVSPMAT-AL-WP - Virtuoso Spin Maraca Tree with Alu Post

BS EN 1176 - Designed to British & European Standards

MATERIALS

Panels - Two Colour High Density Polyethylene (HDPE)

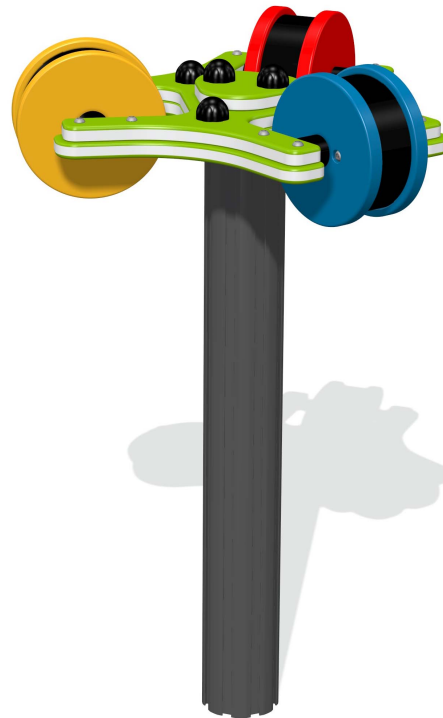
Post - Extruded aluminium post with powder coat finish

Maracas - High Density Polyethylene (HDPE)

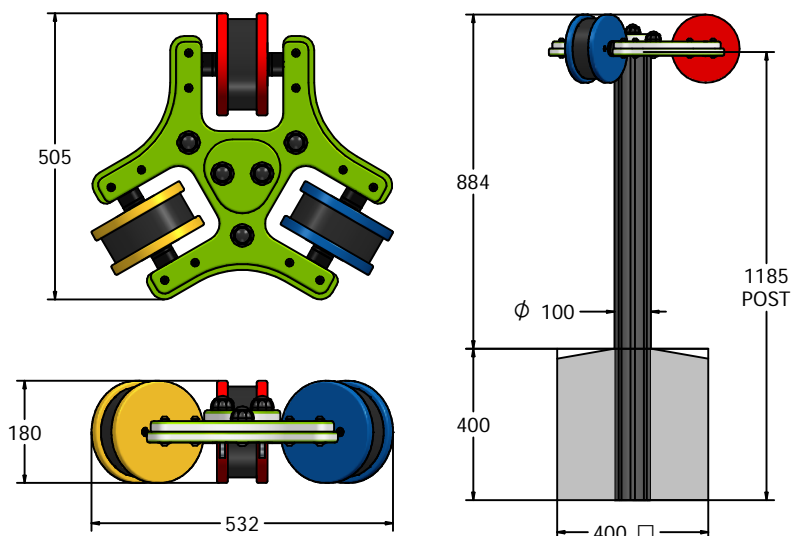
SUPPLY METHOD

Maracas & Panels - Assembled

Post & Cap - Separately



DIMENSIONS



TECHNICAL

Age Range: 2+ Years
Largest Part: Post - 1185 x $\phi 100$ mm
Heaviest Part: Maraca Assembly - 8Kg Approx.
Total Weight: 13Kg Approx.
Surfacing: N/A

IMPORTANT: you must specify the colour option you require at the time of order if it is different from the colour listed/shown above, requirements are subject to availability at the time of order