

Product Information

FIVBF-AL-WP - Virtuoso Bell Flowers with Alu Post

BS EN 1176 - Designed to British & European Standards

MATERIALS

Panels - Two Colour High Density Polyethylene (HDPE)

Post - Extruded aluminium post with powder coat finish

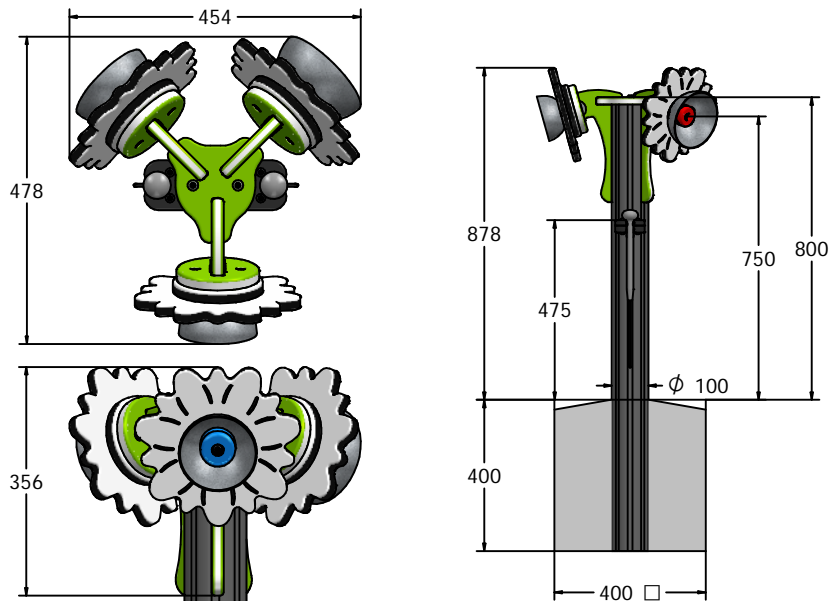
Bells - Stainless steel bells with brushed finish

SUPPLY METHOD

Bells, Post & Beaters - Fully assembled



DIMENSIONS



TECHNICAL

Age Range: 2+ Years
Largest Part: 454 x 478 x 1278mm
Total Weight: 12kg Approx.
Surfacing: N/A

IMPORTANT: you must specify the colour option you require at the time of order if it is different from the colour listed/shown above, requirements are subject to availability at the time of order