

Product Information

FIPTLUSNAC - LumiSense Play Panel

BS EN 1176 - Designed to British & European Standards

Indoor Play - Wired power product for indoors only

MATERIALS

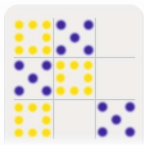
Panel - High Density Polyethylene (HDPE)

SUPPLY METHOD

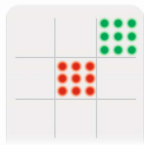
Panel - Assembled



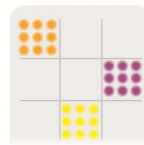
4x Game Modes:



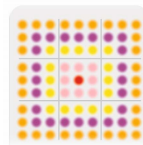
Tic-tac-toe



Reactions



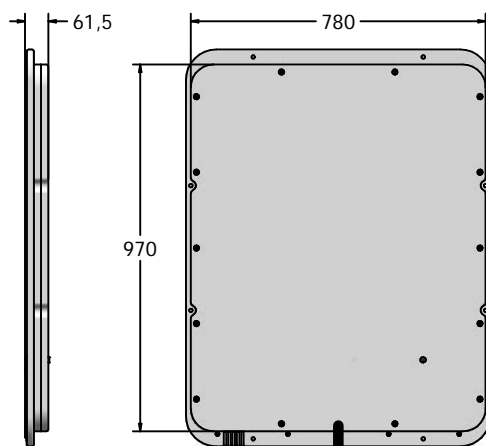
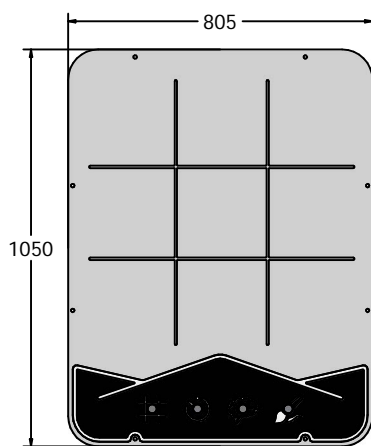
Memory



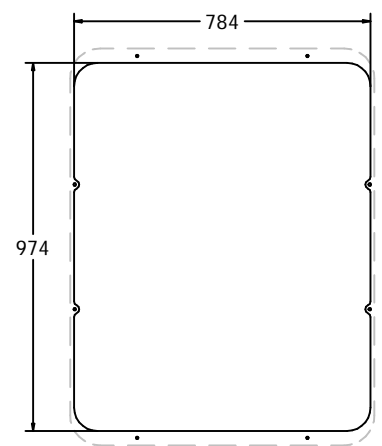
Pixel Paint



DIMENSIONS



Host panel fixing detail



Wired Power Supply Required

CAD template available

TECHNICAL

Age Range: 2+ Years
Largest Part: 805 x 1050 x 61.5mm
Total Weight: 25kg
Surfacing: N/A

IMPORTANT: you must specify the colour option you require at the time of order if it is different from the colour listed/shown above, requirements are subject to availability at the time of order