

# Product Information

## FIMU5FLATLOWIN - Pentatonic Flat Chimes Musical Panel Insert

BS EN 1176 - Designed to British & European Standards

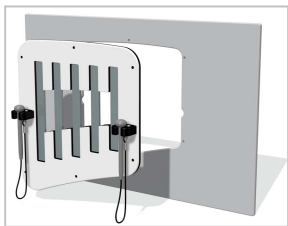
### MATERIALS

**Panel** - Two Colour High Density Polyethylene (HDPE)

**Flat Chimes** - Anodised aluminium with a brushed finish

### SUPPLY METHOD

**Insert** - Fully assembled

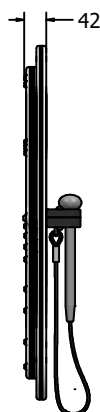
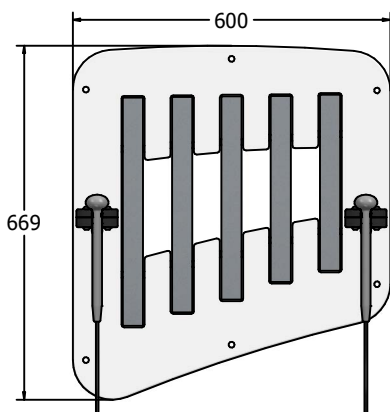


Insert can easily attach to your own panel

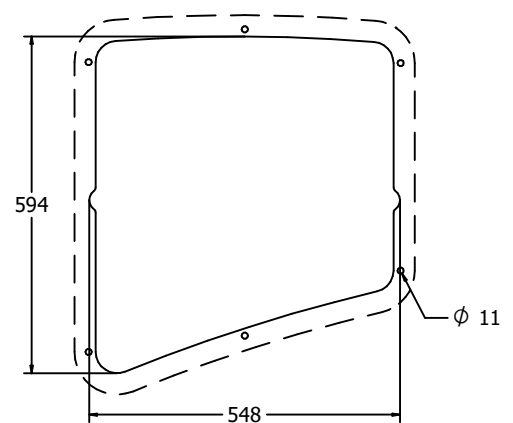


Rear view of insert attached to host panel

### DIMENSIONS



### Host panel fixing detail



CAD available on request

### TECHNICAL

**Age Range:** 2+ Years  
**Largest Part:** 600 x 669 x 110mm  
**Total Weight:** 10kg  
**Surfacing:** N/A

IMPORTANT: you must specify the colour option you require at the time of order if it is different from the colour listed/shown above, requirements are subject to availability at the time of order