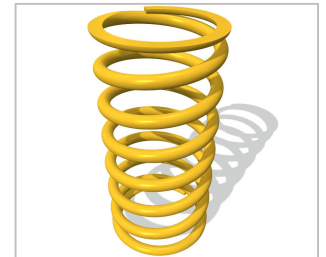
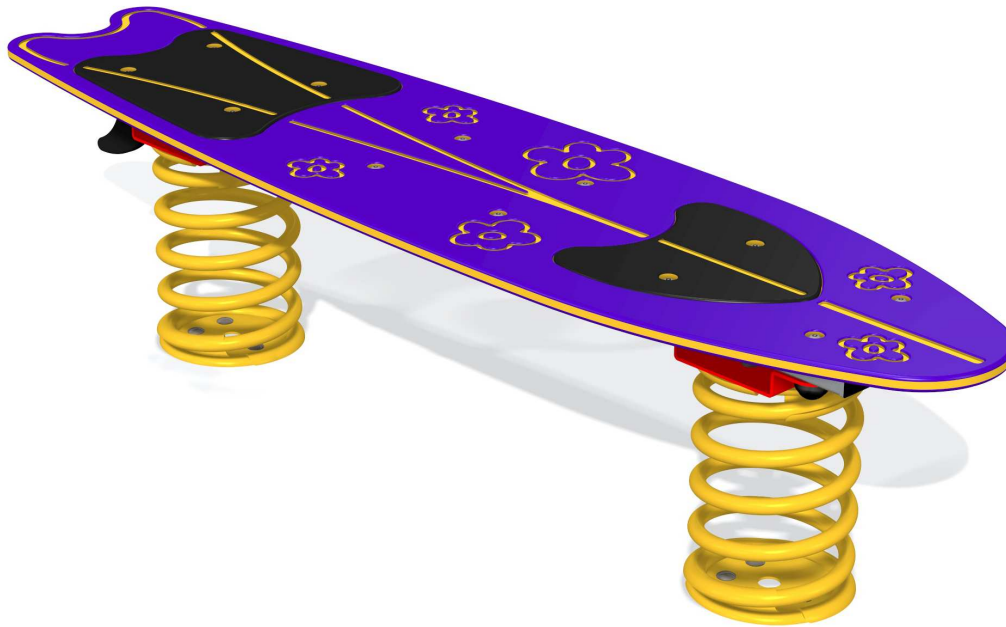
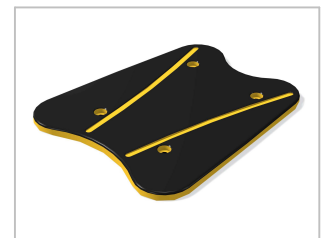


Product Information

FISRFLOW - Surf Rider - Flower Spring Plank

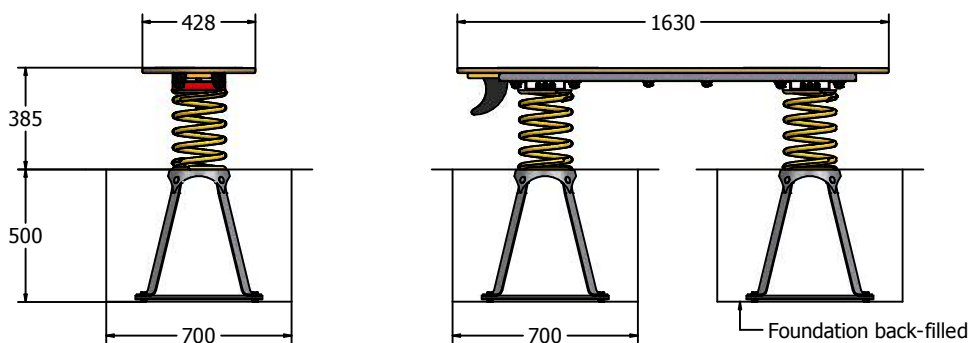


High Quality Steel Spring



Densetec Grip Foot Plates

Designed to British & European Standard BS EN 1176



Supply Method
Plank Assembly Assembled with Fixing Pack & Instructions.
300mm Spring Assembly Fully Assembled (x2)
Ground Anchor Loose Components with Fixing Pack (x2) & Instructions

Age Range: 2+ Years
Largest Part: Plank Assembly - 178 x 1630 x 428mm
Heaviest Part: Spring Assembly 20 Kg approx.
Total Weight: 58 Kg approx.
FFH (Free Fall Height): 385mm
Surfacing : 1m from extremes of equipment with a Critical Fall Height in excess of 385mm

Inspection Schedule	Inspection Frequency
Visual	Every Month
Functionality	Every Month
Comprehensive	Every 6 Months

Material: **Design Panel** - High Density Polyethylene (HDPE) with orange peel texture finish
Spring & Brackets - Powder coated steel
Ground Anchor - Galvanised steel

Colour Choices: **Design Panel** - Broad selection available, visit the website below for further details