

Product Information

FSSM07 - Spring Maze



Challenging Maze Layout

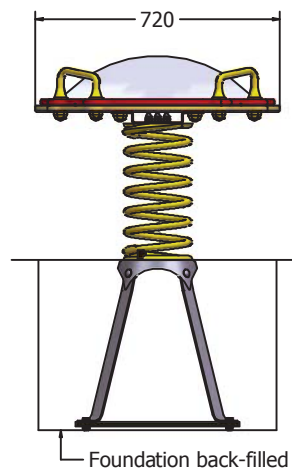
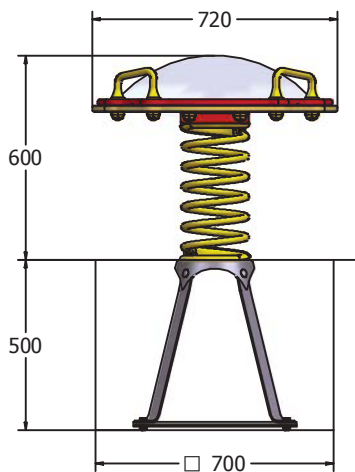


Easy Grip Handles



Heavy Duty Powder Coated Spring

Designed to British & European
Standard BS EN 1176



Supply Method

Maze Dome Assembly
Fully Assembled

400mm HD Spring Assembly
Fully Assembled

Ground Anchor
Loose Components with Fixing Pack
& Instructions

Age Range: 2+ Years
Largest Part: Maze Dome Assembly - 190 x 720 x 720mm
Heaviest Part: 400mm HD Spring Assembly - 20 Kg approx.
Total Weight: Approx. 33 Kg
FFH (Free Fall Height): 600mm
Surfacing : 1m from extremes of equipment

Inspection Schedule	Inspection Frequency
Visual	Every Month
Functionality	Every Month
Comprehensive	Every 6 Months

Material: **Design Panel** - High Density Polyethylene (HDPE) with orange peel texture finish
Spring & Brackets - Powder coated steel
Ground Anchor - Galvanised steel

Colour Choices: **Design Panel** - Broad selection available - see website for details