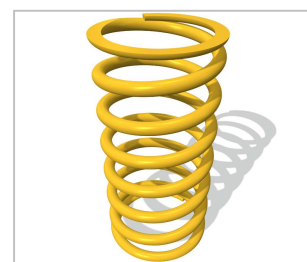
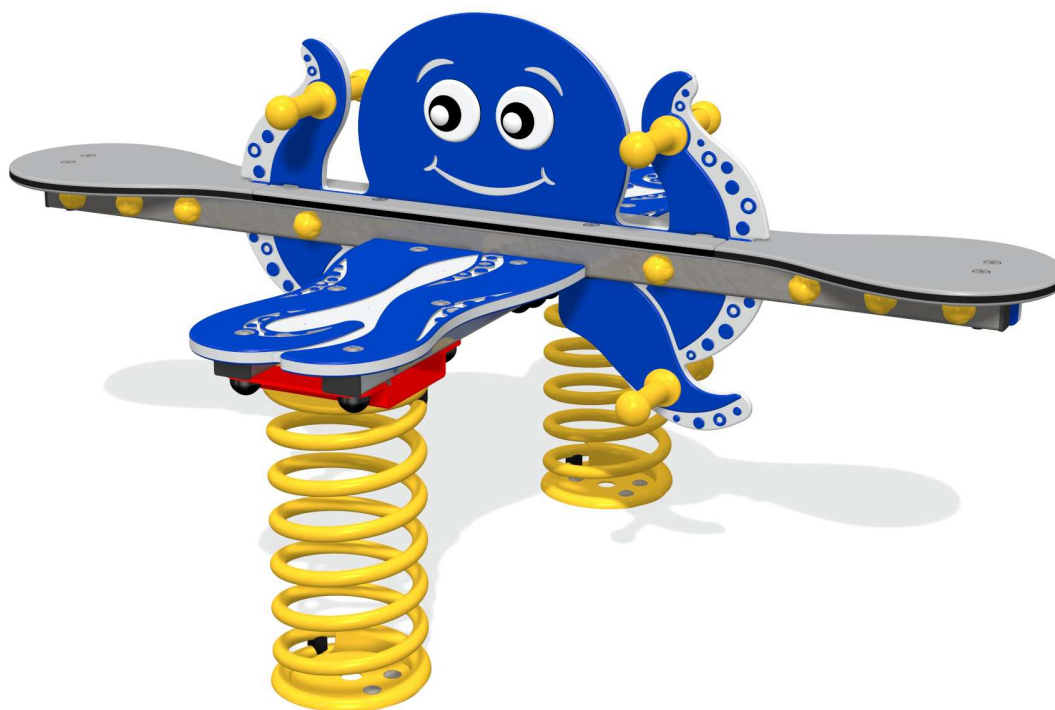


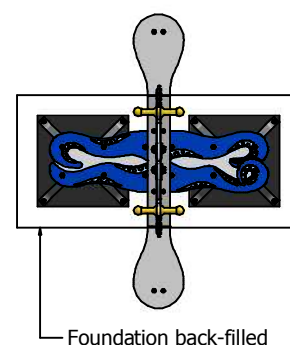
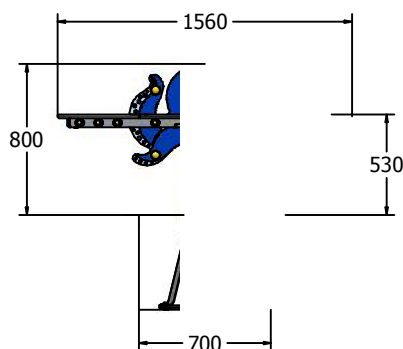
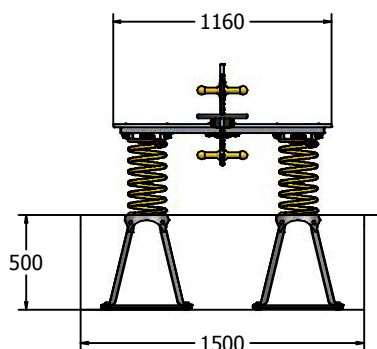
# Product Information

## FSSSOCT - Olivia the Octopus Spring Seesaw



High Quality Steel Spring

Sunply Method



Designed to British & European  
Standard BS EN 1176

Age Range: 3 to 7  
Largest Part: Spring Seesaw Seat Assembly 535 x 266 x 1560mm  
Total Weight: 79kg  
Heaviest Part: Seesaw Seat Assembly - 25kg  
Free Height of Fall (FFH): 780mm to centre of seat at maximum spring deflection  
Surfacing : Surface 1.5m from the extremes of the equipment

Material: **Design Panel** - High Density Polyethylene (HDPE) with o  
**Spring & Brackets** - Powder coated steel  
**Ground Anchor** - Galvanised steel

Colour Choices: **Design Panel** - Broad selection available, visit the website below for further details