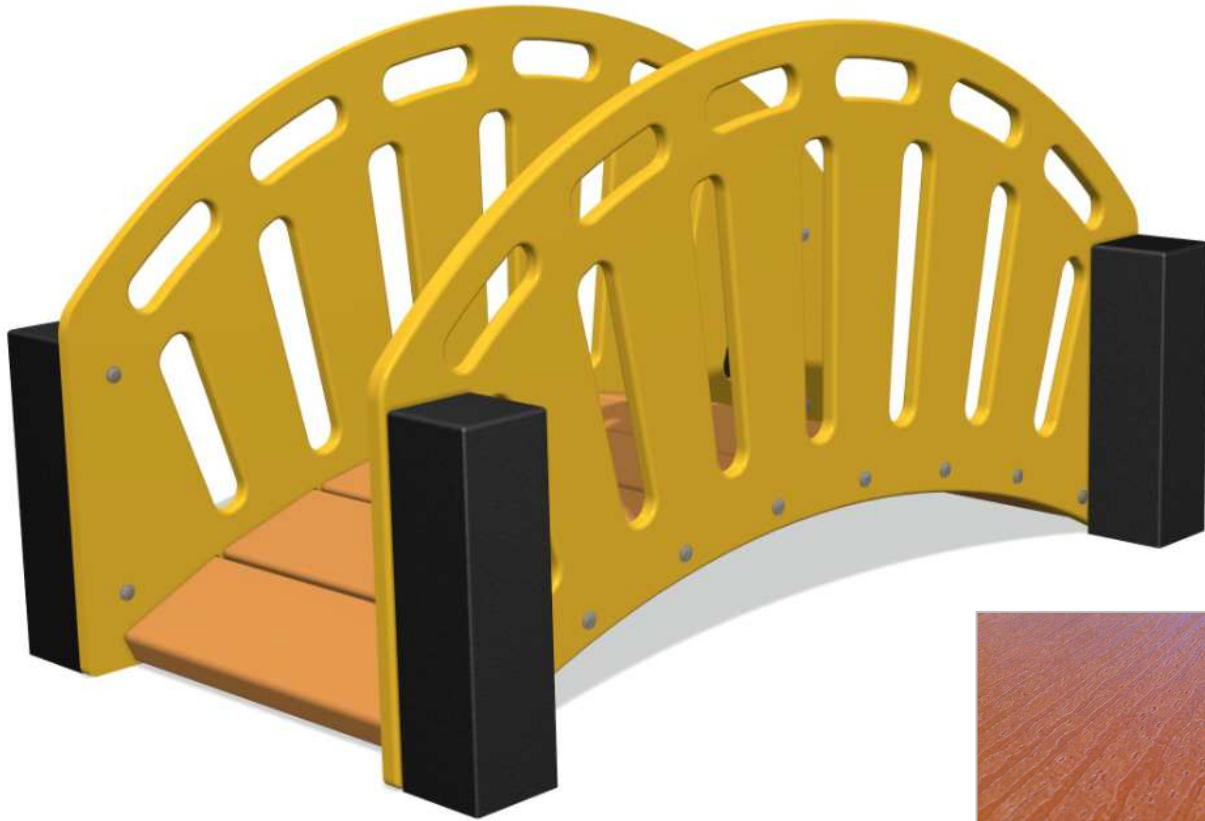
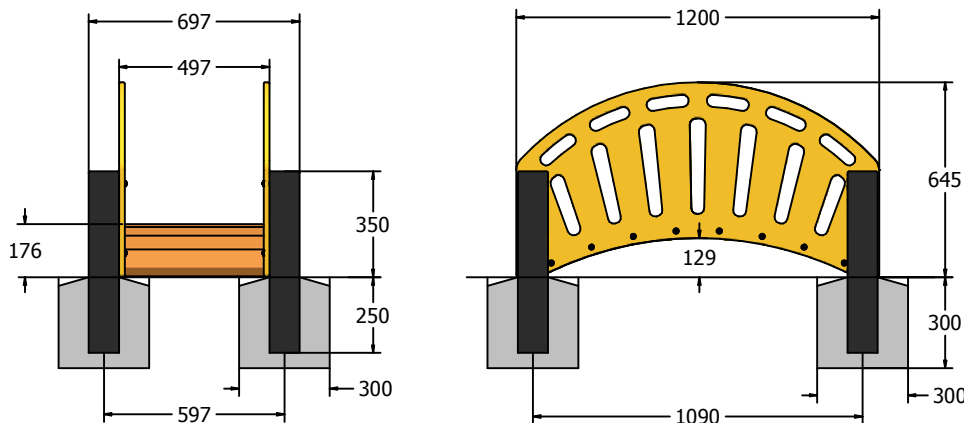


# Product Information

## FIFTMINHUMPB - Mini Hump Back Bridge



LumbeRock Treads



Designed to  
British & European  
Standard BS EN 1176

Bridge section pre-assembled  
for easy installation.

Age Range: 2+ Years  
Largest Part: Bridge Assembly 1200 x 700 x 645mm  
Heaviest Part: Bridge Assembly Approx. 45kg  
Total Weight: Approx. 45kg  
Surfacing: N/A

### Minimum Inspection Schedule

| Type          | Frequency      |
|---------------|----------------|
| Visual        | Every Month    |
| Functionality | Every Month    |
| Comprehensive | Every 6 Months |

Material: **Single Colour Panel** - High Density Polyethylene (HDPE) with orange peel texture finish  
**Recycled Posts** - Made from 100% recycled plastic with a heavy texture finish  
**LumbeRock Treads** - Made from 100% recycled HDPE milk bottles with a wood grain finish on top face

Colour Choices: **Single Colour Panel** - Broad selection available, visit the website below for further details  
**LumbeRock** - Cedar as standard