

Product Information

FSSSEAL - Seal 4-Way Spring Seesaw

BS EN 1176 - Designed to British & European Standards

MATERIALS

Panel - High Density Polyethylene (HDPE)

PolyDek - HDPE with a smooth rubber top surface

Spring & Brackets - Powder coated steel

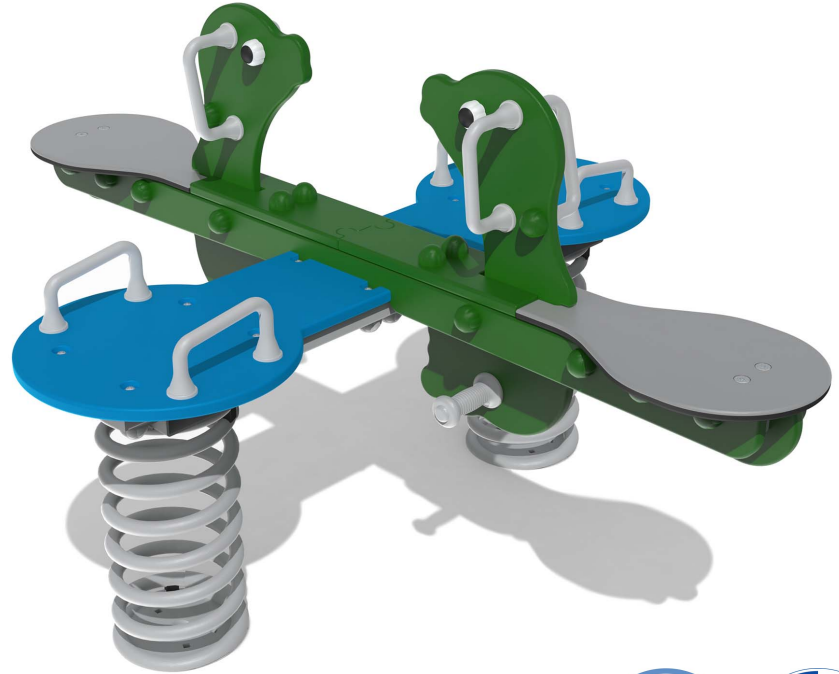
Ground Anchor - Galvanised steel

SUPPLY METHOD

Seesaw Seat Assembly - Assembled with fixing pack

300mm Spring Assembly - Fully Assembled (x2)

Ground Anchor - Loose components with fixings



FEATURES



SPRING - 4 way spring rocker



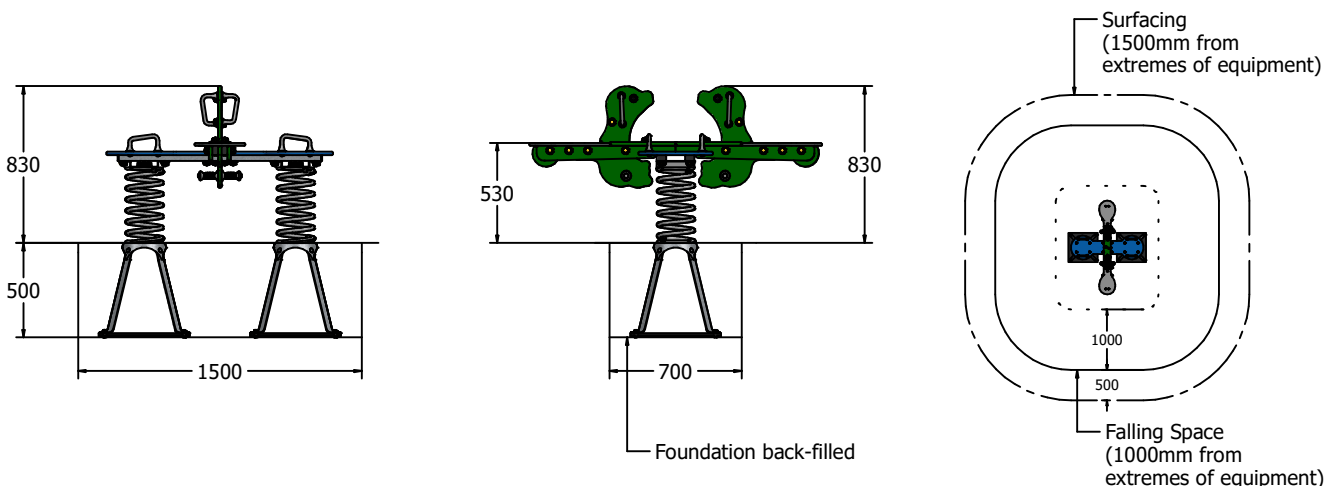
BALANCE - Balance yourself as you rock



SOCIAL - Enjoy group participation and interaction



DIMENSIONS



TECHNICAL

Age Range:	3-7 Years
Largest Part:	Seesaw Seat Assembly - 500 x 1200 x 269mm
Heaviest Part:	Seesaw Seat Assembly - 25kg Approx.
Total Weight:	85kg Approx.
FFH (Free Fall Height):	830mm
Surfacing:	1.5m from extremes of equipment with a Critical Fall Height in excess of 830mm

IMPORTANT: you must specify the colour option you require at the time of order if it is different from the colour listed/shown above, requirements are subject to availability at the time of order