

Product Information

FSSSOCT - Olivia the Octopus Spring Seesaw

BS EN 1176 - Designed to British & European Standards

MATERIALS

Panel - High Density Polyethylene (HDPE)

Spring & Brackets - Powder coated steel

Ground Anchor - Galvanised steel

SUPPLY METHOD

Seesaw Seat Assembly - Assembled with fixing pack

300mm Spring Assembly - Fully Assembled (x2)

Ground Anchor - Loose components with fixings

FEATURES



SPRING - 4 way spring rocker



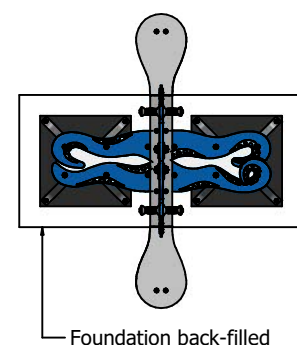
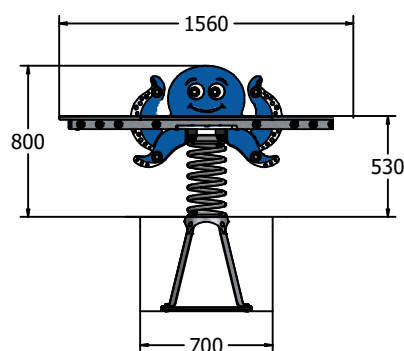
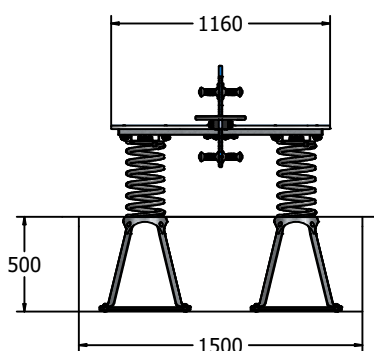
BALANCE - Balance yourself as you rock



SOCIAL - Enjoy group participation and interaction



DIMENSIONS



TECHNICAL

Age Range:	3-7 Years
Largest Part:	Seesaw Seat Assembly - 535 x 266 x 1560mm
Heaviest Part:	Seesaw Seat Assembly - 25kg Approx.
Total Weight:	79kg Approx.
FFH (Free Fall Height):	800mm
Surfing:	1.5m from extrememes of equipment with a Critical Fall Height in excess of 800mm

IMPORTANT: you must specify the colour option you require at the time of order if it is different from the colour listed/shown above, requirements are subject to availability at the time of order