

# Product Information

## FSSSBEE - Belle the BumbleBee Spring Seesaw

BS EN 1176 - Designed to British & European Standards

### MATERIALS

**Panel** - High Density Polyethylene (HDPE)

**Spring & Brackets** - Powder coated steel

**Ground Anchor** - Galvanised steel

### SUPPLY METHOD

**Seesaw Seat Assembly** - Assembled with fixing pack

**300mm Spring Assembly** - Fully Assembled (x2)

**Ground Anchor** - Loose components with fixings



### FEATURES



**SPRING** - 4 way spring rocker



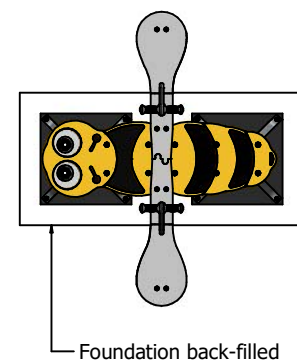
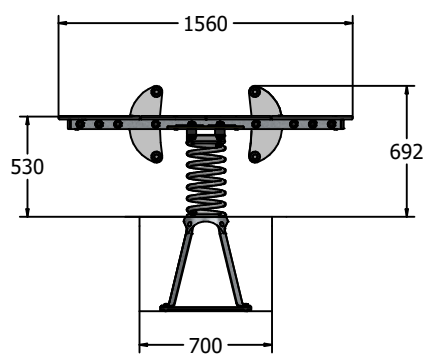
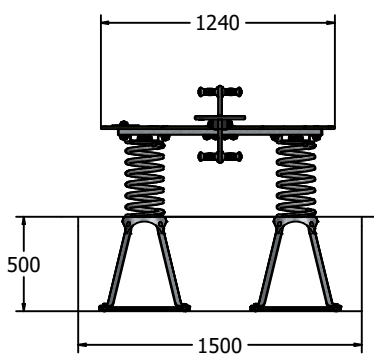
**BALANCE** - Balance yourself as you rock



**SOCIAL** - Enjoy group participation and interaction



### DIMENSIONS



### TECHNICAL

<b>Age Range:</b>	3-7 Years
<b>Largest Part:</b>	Seesaw Seat Assembly - 407 x 266 x 1560mm
<b>Heaviest Part:</b>	Seesaw Seat Assembly - 23kg Approx.
<b>Total Weight:</b>	77kg Approx.
<b>FFH (Free Fall Height):</b>	692mm
<b>Surfacing:</b>	1.5m from extrememes of equipment with a Critical Fall Height in excess of 692mm

IMPORTANT: you must specify the colour option you require at the time of order if it is different from the colour listed/shown above, requirements are subject to availability at the time of order