

Product Information

FSSR4 - 4-Way Spring Rocker

BS EN 1176 - Designed to British & European Standards

MATERIALS

Panel - High Density Polyethylene (HDPE)

Spring & Brackets - Powder coated steel

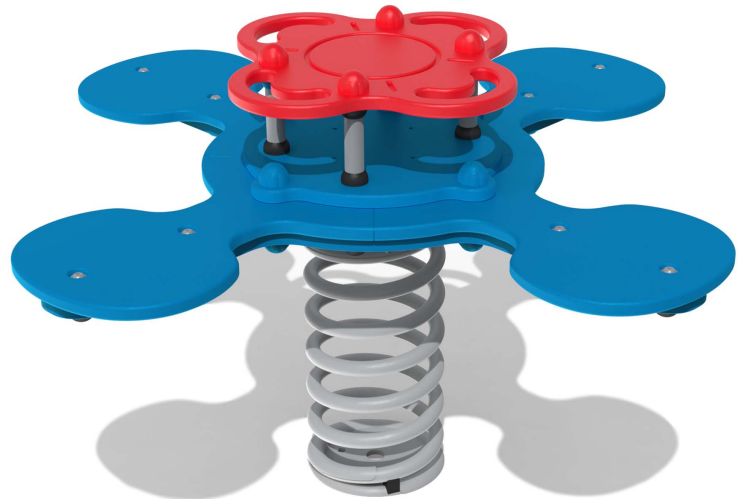
Ground Anchor - Galvanised steel

SUPPLY METHOD

Rocker Seat Assembly - Assembled with fixing pack

300mm Spring Assembly - Fully Assembled

Ground Anchor - Loose components with fixings



FEATURES



SPRING - 4 way spring rocker



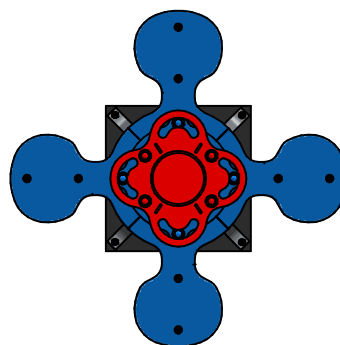
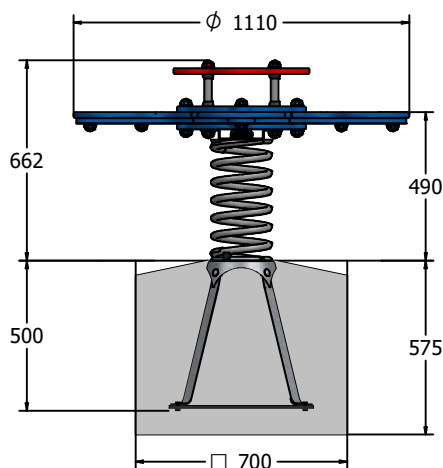
BALANCE - Balance yourself as you rock



SOCIAL - Enjoy group participation and interaction



DIMENSIONS



TECHNICAL

Age Range:	3-7 Years
Largest Part:	Rocker Seat Assembly - 1110 x 1100 x 125mm
Heaviest Part:	Spring Assembly - 20kg Approx.
Total Weight:	42kg Approx.
FFH (Free Fall Height):	662mm
Surfacing:	1.5m from extrememes of equipment with a Critical Fall Height in excess of 662mm

IMPORTANT: you must specify the colour option you require at the time of order if it is different from the colour listed/shown above, requirements are subject to availability at the time of order