

Product Information

FS2013 - Sit-In Car Spring Rocker

BS EN 1176 - Designed to British & European Standards

MATERIALS

Panel - Two Colour High Density Polyethylene (HDPE)

Spring & Brackets - Powder coated steel

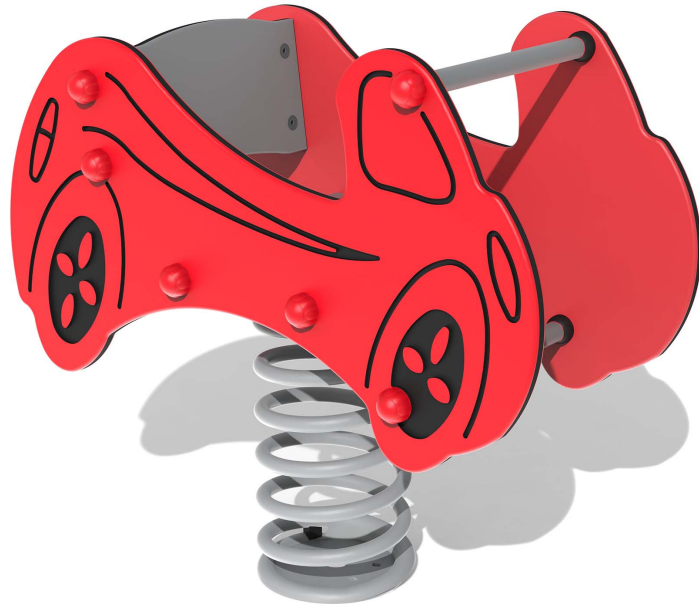
Ground Anchor - Galvanised steel

SUPPLY METHOD

Car Assembly - Assembled with fixing pack

400mm Spring Assembly - Fully assembled

Ground Anchor - Loose component with fixings



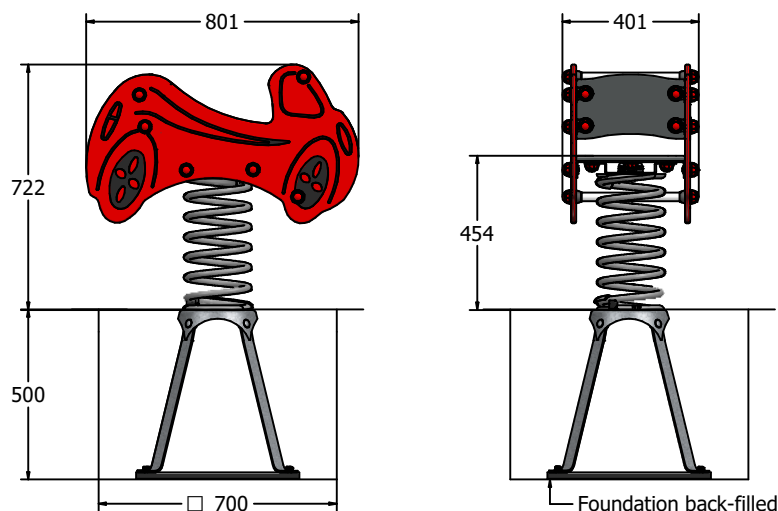
FEATURES



SPRING - Car spring rocker



DIMENSIONS



TECHNICAL

| | |
|--------------------------------|--|
| Age Range: | 2+ Years |
| Largest Part: | Car Assembly - 466 x 801 x 401mm |
| Heaviest Part: | Spring Assembly - 20kg Approx. |
| Total Weight: | 40kg Approx. |
| FFH (Free Fall Height): | 454mm |
| Surfacing: | 1m from extrememes of equipment with a Critical Fall Height in excess of 454mm |

IMPORTANT: you must specify the colour option you require at the time of order if it is different from the colour listed/shown above, requirements are subject to availability at the time of order