

# Product Information

## FS2005 - Sit-In Whale Spring Rocker

BS EN 1176 - Designed to British & European Standards

### MATERIALS

Panel - High Density Polyethylene (HDPE)

Spring & Brackets - Powder coated steel

Ground Anchor - Galvanised steel

### SUPPLY METHOD

Whale Assembly - Assembled with fixing pack

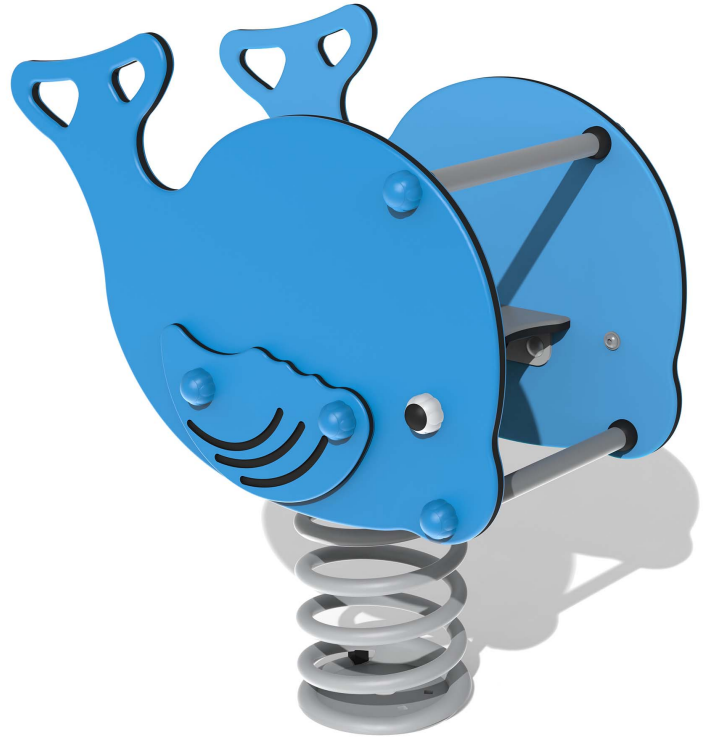
400mm Spring Assembly - Fully assembled

Ground Anchor - Loose component with fixings

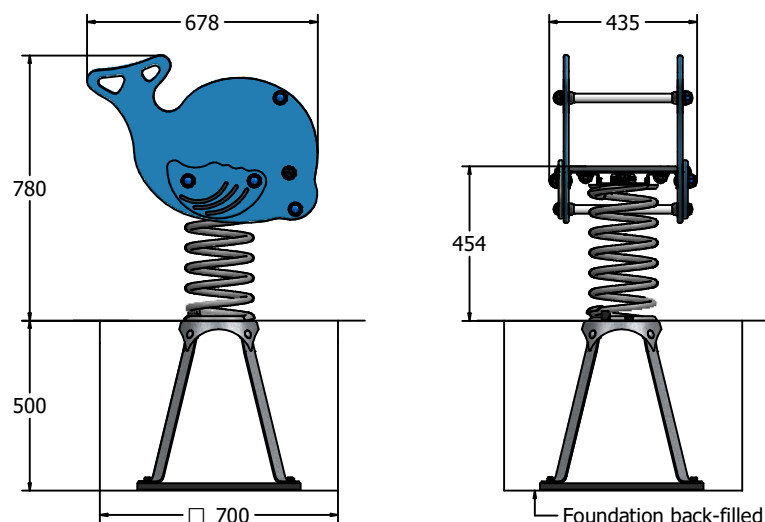
### FEATURES



SPRING - Whale spring rocker



### DIMENSIONS



### TECHNICAL

Age Range:	2+ Years
Largest Part:	Whale Assembly - 493 x 678 x 435mm
Heaviest Part:	Spring Assembly - 20kg Approx.
Total Weight:	36kg Approx.
FFH (Free Fall Height):	454mm
Surfacing:	1m from extrememes of equipment with a Critical Fall Height in excess of 454mm

IMPORTANT: you must specify the colour option you require at the time of order if it is different from the colour listed/shown above, requirements are subject to availability at the time of order