

Product Information

FS2004 - Sit-In Butterfly Spring Rocker

BS EN 1176 - Designed to British & European Standards

MATERIALS

Panel - High Density Polyethylene (HDPE)

Spring & Brackets - Powder coated steel

Ground Anchor - Galvanised steel

SUPPLY METHOD

Butterfly Assembly - Assembled with fixing pack

400mm Spring Assembly - Fully assembled

Ground Anchor - Loose component with fixings

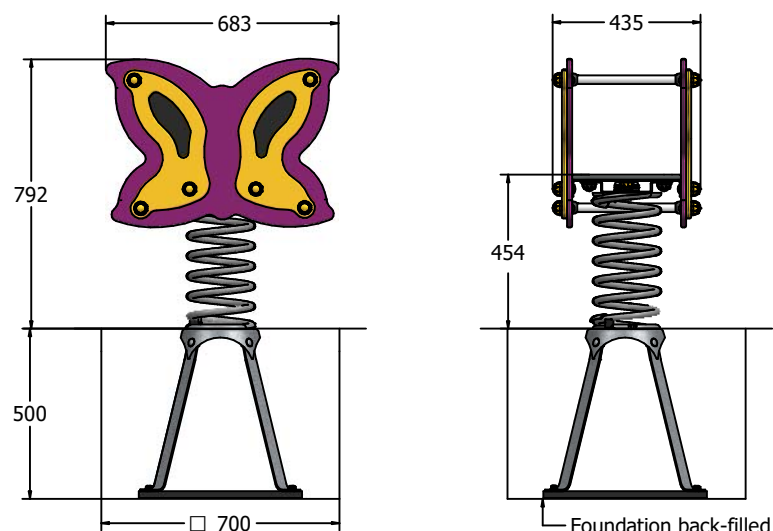
FEATURES



SPRING - Butterfly spring rocker



DIMENSIONS



TECHNICAL

Age Range:	2+ Years
Largest Part:	Butterfly Assembly - 495 x 683 x 435mm
Heaviest Part:	Spring Assembly - 20kg Approx.
Total Weight:	40kg Approx.
FFH (Free Fall Height):	454mm
Surfacing:	1m from extrememes of equipment with a Critical Fall Height in excess of 454mm

IMPORTANT: you must specify the colour option you require at the time of order if it is different from the colour listed/shown above, requirements are subject to availability at the time of order