

Product Information

FS2003 - Sit-In Mini Van Spring Rocker

BS EN 1176 - Designed to British & European Standards

MATERIALS

Panel - High Density Polyethylene (HDPE)

Spring & Brackets - Powder coated steel

Ground Anchor - Galvanised steel

SUPPLY METHOD

Mini Van Assembly - Assembled with fixing pack

400mm Spring Assembly - Fully assembled

Ground Anchor - Loose component with fixings

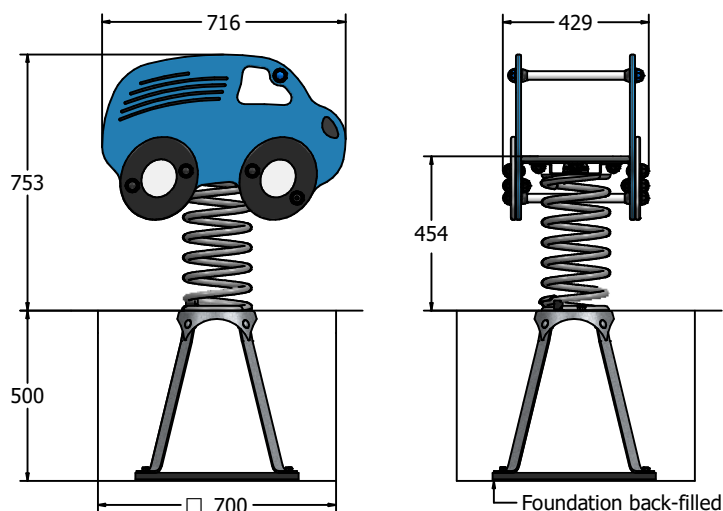
FEATURES



SPRING - Mini van spring rocker



DIMENSIONS



TECHNICAL

Age Range:	2+ Years
Largest Part:	Mini Van Assembly - 716 x 485 x 429mm
Heaviest Part:	Spring Assembly - 20kg Approx.
Total Weight:	37kg Approx.
FFH (Free Fall Height):	454mm
Surfing:	1m from extrememes of equipment with a Critical Fall Height in excess of 454mm

IMPORTANT: you must specify the colour option you require at the time of order if it is different from the colour listed/shown above, requirements are subject to availability at the time of order